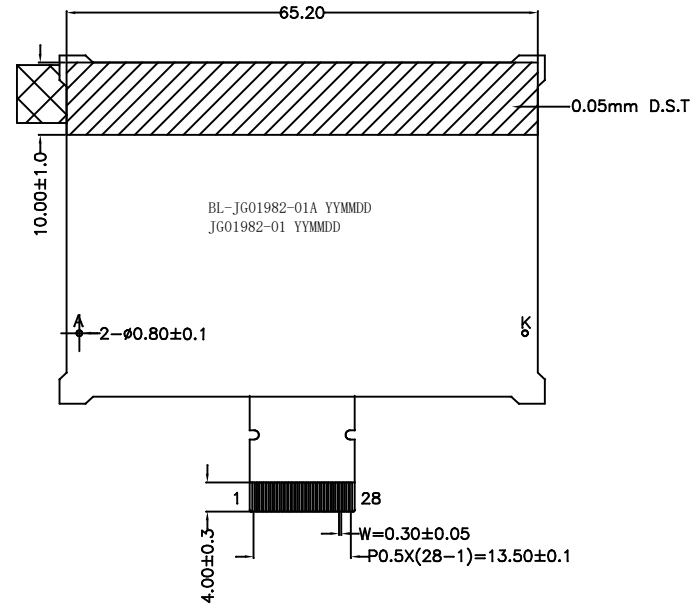
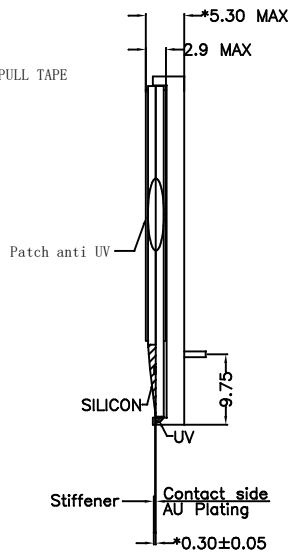
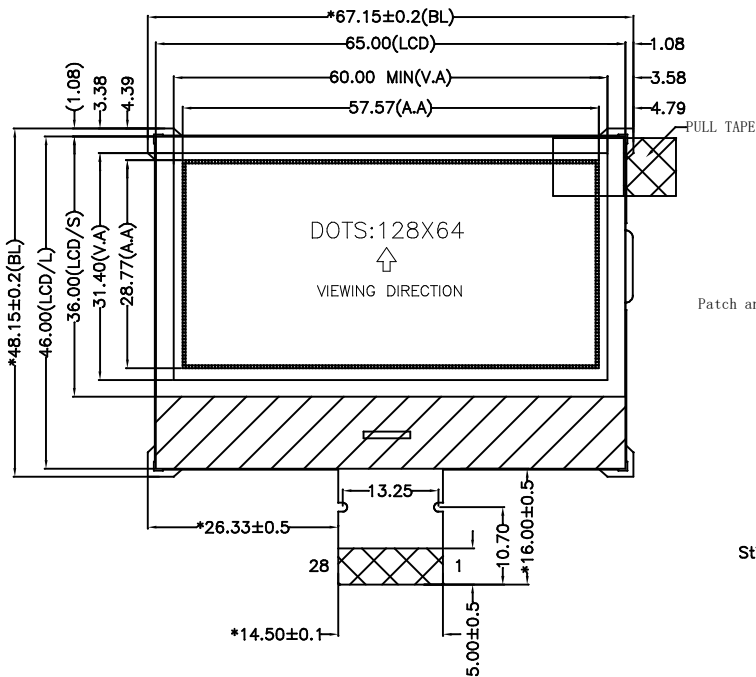
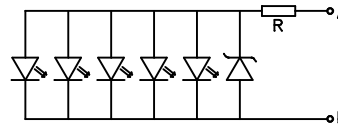
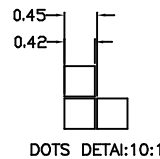
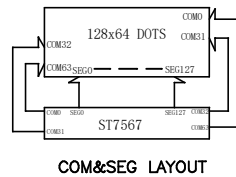


REV.	SYMBOL	DESCRIPTION	NAME	DATE
00		INITIAL	ZX	2024-11-1



PIN	Description
1	/CS
2	/RES
3	RS
4	WR(/WR)
5	RD(/RD)
6	DB0
7	DB1
8	DB2
9	DB3
10	DB4
11	DB5
12	DB6
13	DB7
14	VDD
15	VSS
16	NC
17	NC
18	NC
19	NC
20	NC
21	VO
22	XV0
23	NC
24	NC
25	NC
26	NC
27	VG
28	P/S



Backlight lifetime at 25°C (<F=75mA) min 50K hrs

请客户确认图纸!

确认签名: 2024-11-05

FOR APPROVAL
McTRONIC
Create

MC Tronic s.r.l. - società unipersonale
Via Novara, 35
28010 VAPRIO D'AGOGNA (NO)
V.A.T. code 02248160032
Tel. +39 0323 86931 - Fax +39 0323 869322
E-mail: info@mctronic.it
R.E.A. NO N. 224579

ITEM	PARAMETERS	ITEM	PARAMETERS	UNMARKED TOLERANCE: ± 0.2			
DISPLAY TYPE	FSTN, POSITIVE	VIEWING DIRECTION	6 O'CLOCK	SCALE	FIT	UNIT	MM
POLARIZER TYPE	TRANSFLECTIVE	OPERATING TEMPERATURE	-20°C TO +70°C	SHEET	1 OF 1	REV.	00
DRIVING METHOD	1/65 DUTY, 1/9 BIAS	STORAGE TEMPERATURE	-30°C TO +80°C	TITLE		OUTLINE DWAWING	
LCD OPERATING VOLTAGE	8.3V	IC	ST7567	PART NO.		DRAWN	
BACKLIGHT	AMBER, 4V, 75mA(TYP)	LOGIC VOLTAGE(VDD)	3.3V	MODULE NO.		CHECKED	
RoHS COMPLIANT		CONNECTING METHOD	COG+FPC	CUSTOMER NO.		APPROVED	
DIMENSIONS WITH MARK "*" ARE IMPORTANT, WITH MARK "()" ARE REFERENCED, WITH MARK "◇" ARE SPECIAL CHARACTERISTICS, WITH MARK "●" ARE IMPROTANT CHARACTERISTICS.				THIS DRAWING IS PROPERTY OF Hunan Jenson Display Technology Company Limited, IT CANNOT BE REPRODUCED WITHOUT PERMISSION.			

JENSON 湖南晶讯光电股份有限公司
Hunan Jenson Display Technology Company Limited

NAME	DATE
ZHONGXIN	2024-11-1
ZHAOJIA	2024-11-1
HUANGYONG	2024-11-1