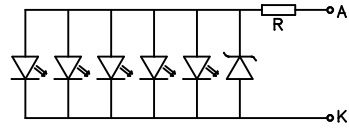
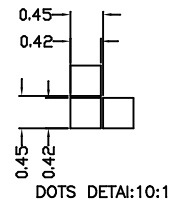
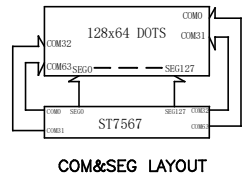
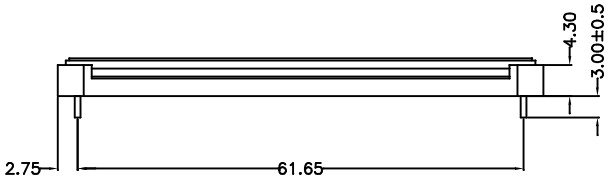
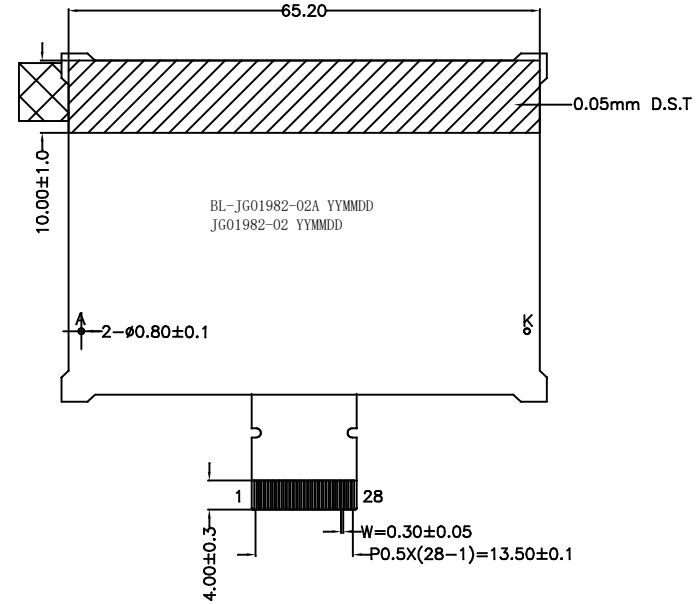
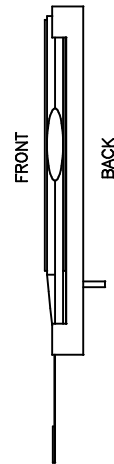
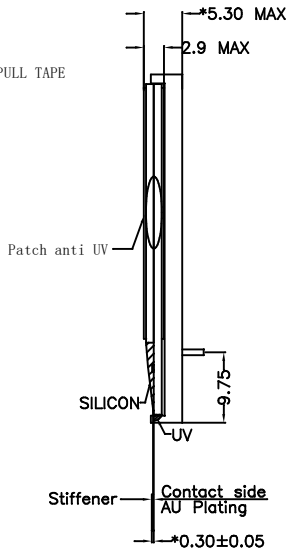
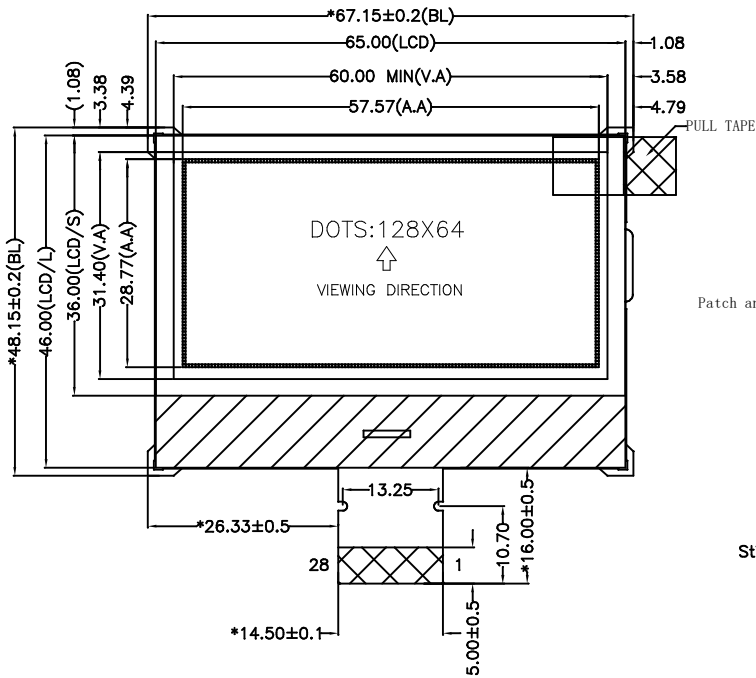


REV.	SYMBOL	DESCRIPTION	NAME	DATE
00		INITIAL	ZX	2024-11-1



PIN	Description
1	/CS
2	/RES
3	RS
4	WR(/WR)
5	RD(/RD)
6	DB0
7	DB1
8	DB2
9	DB3
10	DB4
11	DB5
12	DB6
13	DB7
14	VDD
15	VSS
16	NC
17	NC
18	NC
19	NC
20	NC
21	VO
22	XV0
23	NC
24	NC
25	NC
26	NC
27	VG
28	P/S

Backlight lifetime at 25°C (<F=75mA) min 50K hrs

FOR APPROVAL
McTRONIC
 请客户确认图纸!
 确认签名: 2024-11-04

ITEM	PARAMETERS	ITEM	PARAMETERS
DISPLAY TYPE	FSTN, POSITIVE	VIEWING DIRECTION	6 O'CLOCK
POLARIZER TYPE	TRANSFLECTIVE	OPERATING TEMPERATURE	-20°C TO +70°C
DRIVING METHOD	1/65 DUTY, 1/9 BIAS	STORAGE TEMPERATURE	-30°C TO +80°C
LCD OPERATING VOLTAGE	8.3V	IC	ST7567
BACKLIGHT	WHITE, 4V, 75mA(TYP)	LOGIC VOLTAGE(VDD)	3.3V
RoHS COMPLIANT		CONNECTING METHOD	COG+FPC
DIMENSIONS WITH MARK "*" ARE IMPORTANT, WITH MARK "(") ARE REFERENCED, WITH MARK "◇" ARE SPECIAL CHARACTERISTICS, WITH MARK "●" ARE IMPROTANT CHARACTERISTICS.			

UNMARKED TOLERANCE: ± 0.2			
SCALE	FIT	UNIT	MM
SHEET 1 OF 1	REV.	00	
TITLE	OUTLINE DWAWING	NAME	DATE
PART NO.		DRAWN	ZHONGXIN 2024-11-1
MODULE NO.	JG01982-02	CHECKED	YANGWEI 2024-11-1
CUSTOMER NO.	DS11005569	APPROVED	HUANGYONG 2024-11-1
THIS DRAWING IS PROPERTY OF Hunan Jenson Display Technology Company Limited, IT CANNOT BE REPRODUCED WITHOUT PERMISSION.			

JENSON DISPLAY 湖南晶讯光电股份有限公司
 Hunan Jenson Display Technology Company Limited