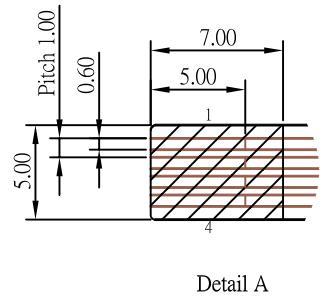
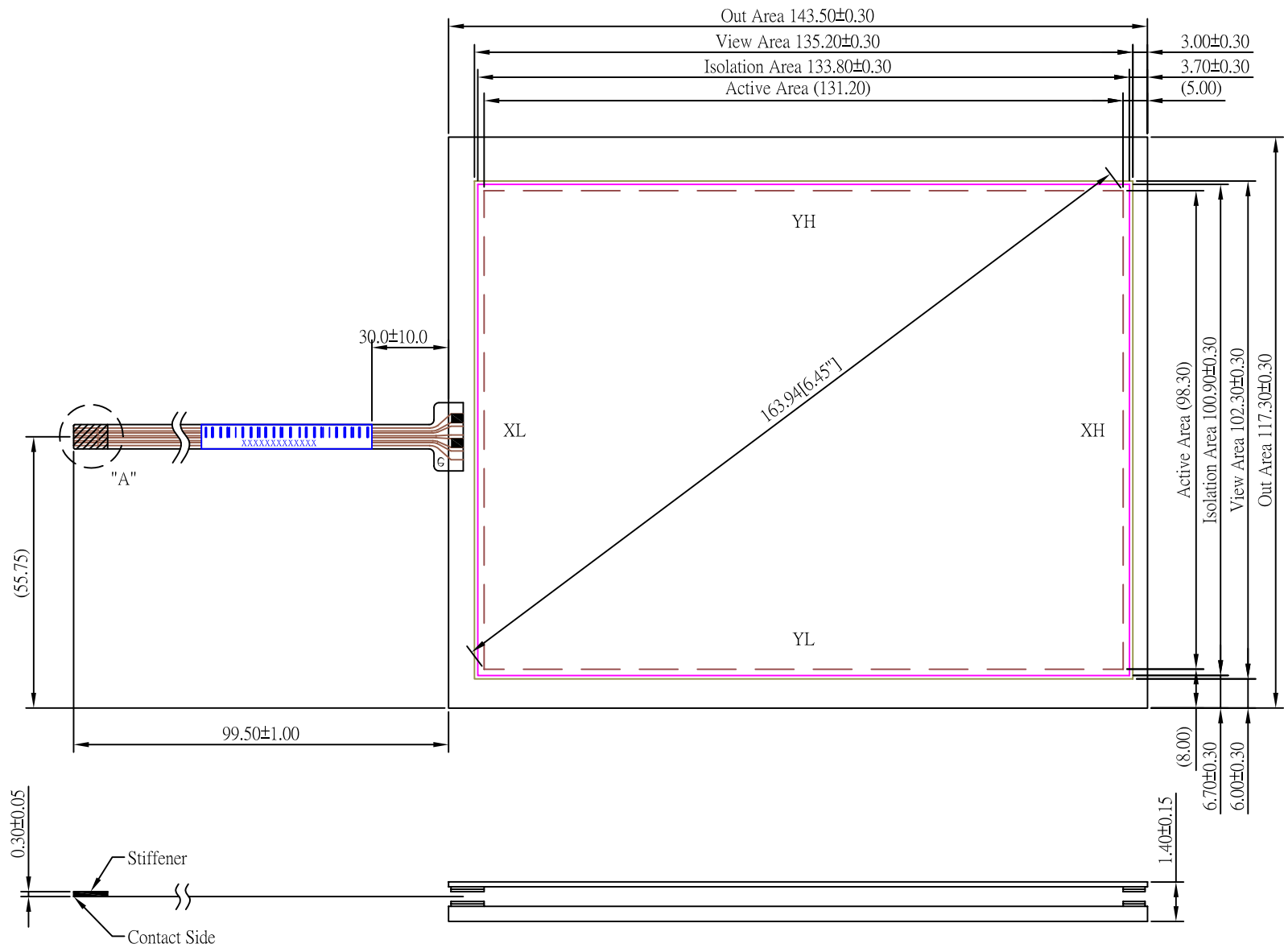


Rev3	10,03'03	Drawing Update
Rev4	03,18'05	Modify FPC (Tail) type
Rev5	02,05'08	Modify barcode label location



PIN OUT	
1	XH
2	YH
3	XL
4	YL

- NOTES:
1. TOPSHEET FINISH ANTI GLARE
  2. GLASS THICKNESS 1.1mm
  3. FLEXTAIL DO NOT BEND TO LESS THAN 3.175mm RADIUS
  4. TAIL ACCEPTS 1mm PITCH ZIF CONN.
  5. OVERALL SENSOR THICKNESS 1.40±0.15mm

6. SENSOR INPUT PEN/FINGER

THIRD ANGLE PROJECTION		Dimensions	m/m
Drawn by	Sandy Yang	Scale	FREE
Checked by	Orly Lin	Release Date	02,05'08



Drawing Number S4-0064001FA

RoHS