



悅達電子有限公司

YETDA INDUSTRY LIMITED

香港九龍青山道682號潮流工貿中心6樓609-611室

Unit Nos. 609-611, 6/F., Trendy Centre 682 Castle

Peak Road, Kln. H.K.

Tel: (852) 27701488

Fax: (852) 23857771

Home page: www.yetda.com

E-mail add: mlke8888@netvigator.com

0.52" SINGLE DIGIT LED DISPLAY

S-5212ASK21-4

DESCRIPTION

0.52" (13.20mm) Inch Digit Height.

Super Red Display.

Grey Face and White Segment Color.

Common Anode

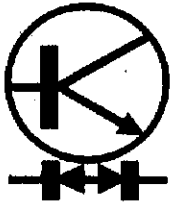
ABSOLUT MAXIMUM RATINGS AT Ta=25°C

Parameter		UNIT
Power Dissipation Per Seg.	40	mW
Peak Forward Current Per Seg.	120	mA
Forward current Per Seg.	30	mA
Reverse Voltage Per Seg.	5	V
Operation Temperature Range	-40°C TO +80°C	°C
Storage Temperature Range	-40°C TO +100°C	°C
Solder Temperature 1/16 Inch Below Seating Plane For 5 Second At 260 °C		

ELECTRICAL/OPTICAL CHARACTERISTIC AT Ta=25°C

SUPER RED

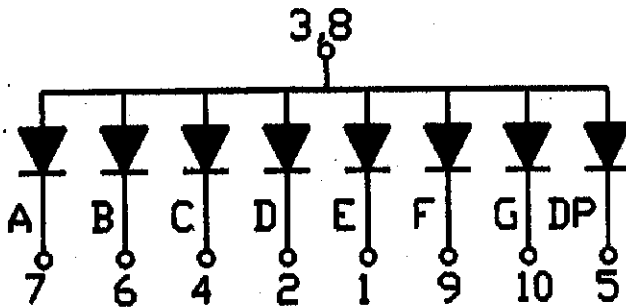
PARAMETER	SYMBOL	MIN.	TYP.	MAX.	UNIT	CONDITION
Average Luminous Intensity	Iv	4	12		mcd	If=20mA
Peak Emission Wavelength	λp		660		nm	If=20mA
Forward Voltage Per Seg.	Vf		1.8	2.2	V	If=20mA
Reverse Current Per Seg.	Ir			10	uA	Vr=5V
Luminous Intensity Matching Ratio	Iv-m			2:1		If=20mA



悅達電子有限公司 YETDA INDUSTRY LIMITED

香港九龍旺角西洋菜街1A 號百寶利商業中心1101-1103 室
Rm.1101-1103, 11/F, Pak Po Lee Comm. Centre,
1A Sai Yeung Choi Street, Mongkok, Kowloon, Hong, Kong.
Tel: (852)27701488 Fax: (852)23857771
Home page: www.yetda.com
E-mail add: mike8888@netvigator.com

P.C.B. Pin Connection



Reflector Dimensions

