

Customer:McTRONIC

Customer NO. : DS11004431

Customer Approve By:

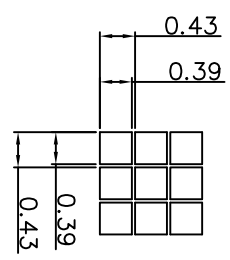
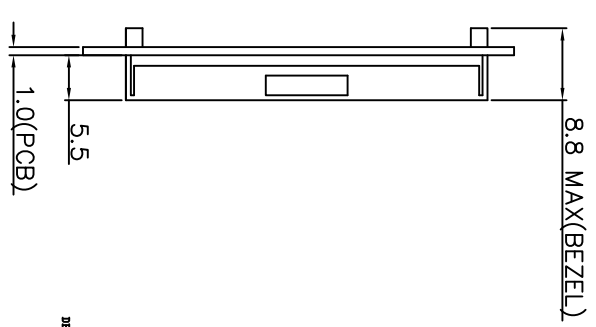
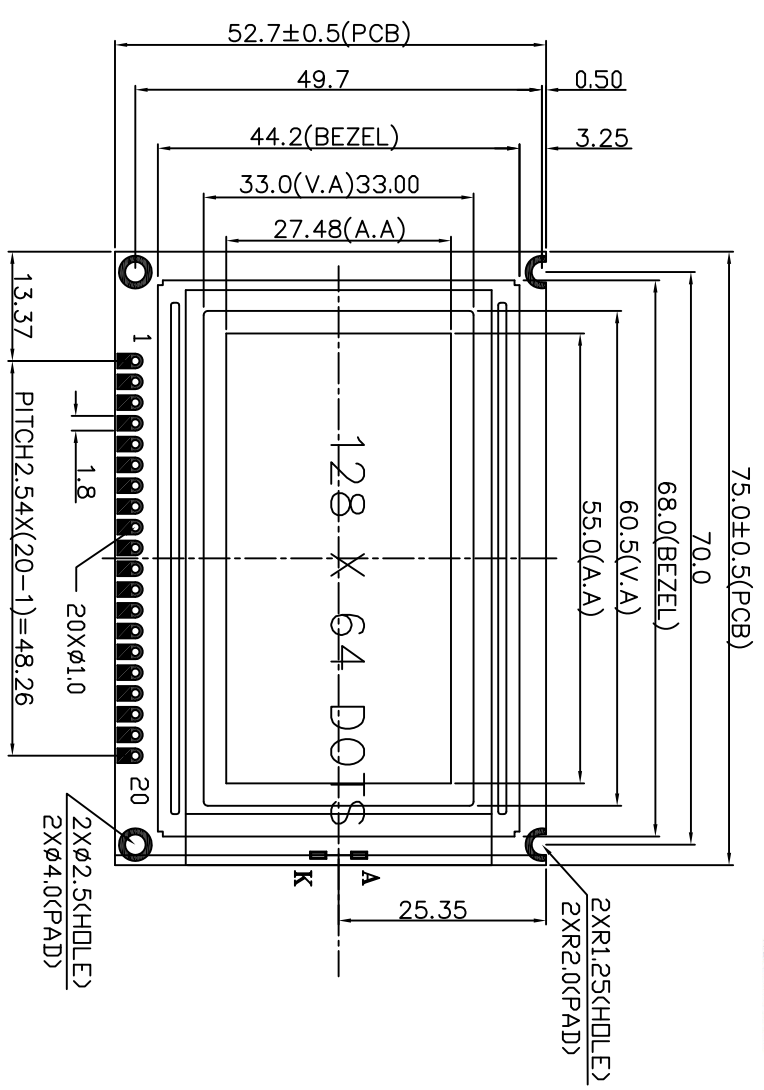
FOR APPROVAL
McTRONIC

REV. A0 DESCRIPTION OF MODIFY
1ST DESIGN

MODIFY BY: DZH DATE
2016-05-24

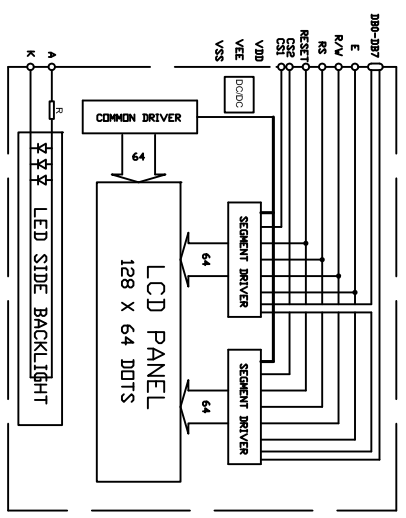
2016-05-25

McTronic s.r.l. - azienda unipersonale
Via Novara, 35
28010 VARESE PIAZZA (NO)
Tel. +39 0323 869331 - Fax +39 0323 869322
E-mail : info@mctronic.it
R.E.A. NO N 224578



PIN FUNCTIONI:

PIN NO	1	2	3	4	5	6	7	8	9	10
SYMBOL	VDD	VSS	VO	DB0	DB1	DB2	DB3	DB4	DB5	DB6
PIN NO	11	12	13	14	15	16	17	18	19	20
SYMBOL	DB7	/CS1	/CS2	/REST	R/W	RS	E	VEE	A	K



- Note:
- 1.Display Modle:
 - 2.Driving Condition:
 - 3.Viewing Direction:
 - 4.Operating Temp:
 - 5.LCD Connector:
 - 6.Backlight:
 - 7.Dimensions with mark '()' are referenced.
 - 8.Unspecified tolerance is ±0.20mm
 - 9.RDHS Request

飞优特科技 (深圳) 有限公司
FUTURE S&T (SHEN ZHEN) CO., LTD
TEL: +86-755-29675886, FAX: +86-755-29675655
E-mail: sales@futurelcd.com

LCM NO.: FB12864GK-GGBY DWG NO.: FB12864GK-GGBY-CD
DRAWN BY: CHECKED BY: APPROVED BY:

UNIT: MM SIZE: A4
SHEET: 1 OF 1

REV: A0