



# YETDA INDUSTRY LTD.

## 63.8\*41mm WHITE SUPER BRIGHT ARROW DISPLAY

### DI-6441W11-CA

#### DESCRIPTION

- \* 63.8\*41 mm Arrow Display.
- \* Super Bright White Light.
- \* Black Face and White Segment Color.
- \* Common Anode.

#### ABSOLUT MAXIMUM RATINGS AT Ta=25°C

Parameter		UNIT
Power Dissipation	40	mW/chip
Peak Forward Current	60	mA/chip
Forward current (Static)	20	mA/chip
Reverse Voltage	5	V
Operation Temperature Range	-25°C TO +80°C	°C
Storage Temperature Range	-25°C TO +85°C	°C
Lead Soldering Temperature	260°C for 3 seconds 1.6mm(1/16 inch) from body	

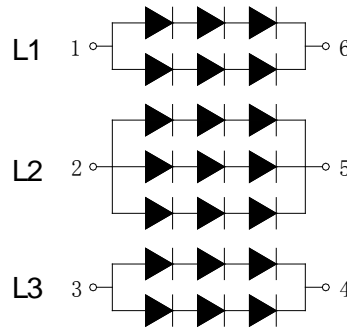
#### ELECTRICAL/OPTOTICAL CHARACTERISTIC AT Ta=25°C

PARAMETER	SYMBOL	MIN.	TYP.	MAX.	UNIT	CONDITION
Average Luminous Intensity	Iv	60	75		mcd	If=20mA
Chromaticity Coordinate	X		0.29			If=20mA
Chromaticity Coordinate	Y		0.30			If=20mA
Emission Wavelength	$\lambda d$		470		nm	If=20mA
Forward Voltage Per Seg.	Vf	8.5	9	11	V	If=20mA
Reverse Current Per Seg.	Ir			50	uA	Vr=5V
Luminous Intensity Matching Ratio	Iv-m			2 : 1		If=20mA

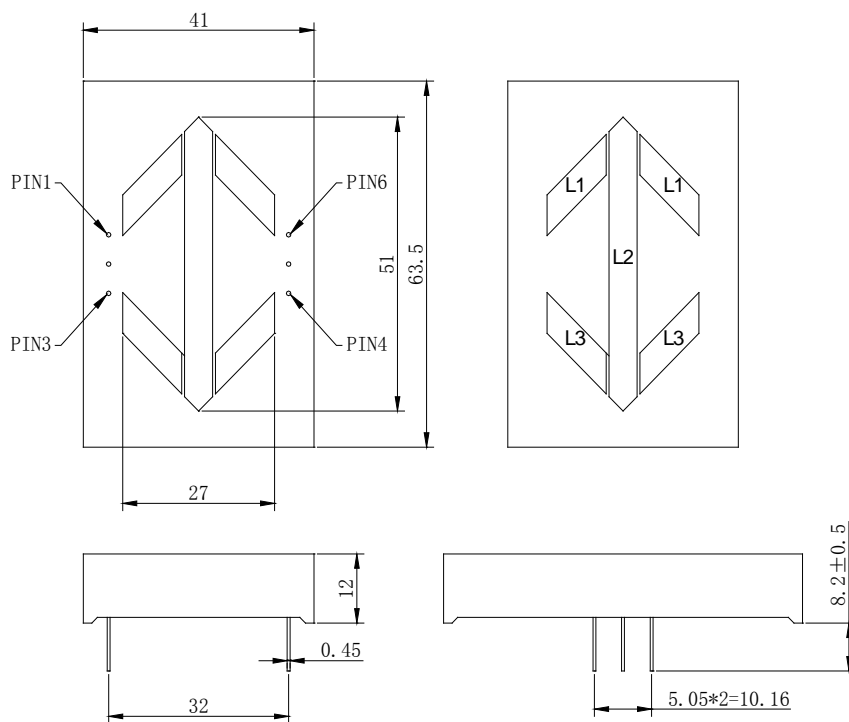


YETDA INDUSTRY LTD.

### P.C.B. Pin Connection



### Reflector Dimensions



Unit:mm