



YETDA INDUSTRY LTD.

63.8*41mm PURE-GREEN SUPER BRIGHT ARROW DISPLAY

DI-6441PG11-CA

DESCRIPTION

- * 63.8*41 mm Arrow Display.
- * Super Bright Pure-green Light.
- * Black Face and White Segment Color.
- * Common Anode.

ABSOLUT MAXIMUM RATINGS AT Ta=25°C

Parameter		UNIT
Power Dissipation	40	mW/chip
Peak Forward Current	60	mA/chip
Forward current (Static)	20	mA/chip
Reverse Voltage	5	V
Operation Temperature Range	-25°C TO +80°C	°C
Storage Temperature Range	-25°C TO +85°C	°C
Lead Soldering Temperature	260°C for 3 seconds 1.6mm(1/16 inch) from body	

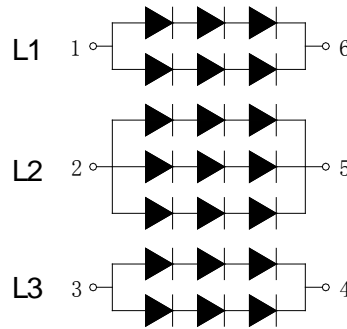
ELECTRICAL/OPTOTICAL CHARACTERISTIC AT Ta=25°C

PARAMETER	SYMBOL	MIN.	TYP.	MAX.	UNIT	CONDITION
Average Luminous Intensity	Iv	150	180		mcd	If=20mA
Emission Wavelength	λ d		525		nm	If=20mA
Forward Voltage Per Seg.	Vf	8.5	9	11	V	If=20mA
Reverse Current Per Seg.	Ir			50	uA	Vr=5V
Luminous Intensity Matching Ratio	Iv-m	2 : 1				If=20mA

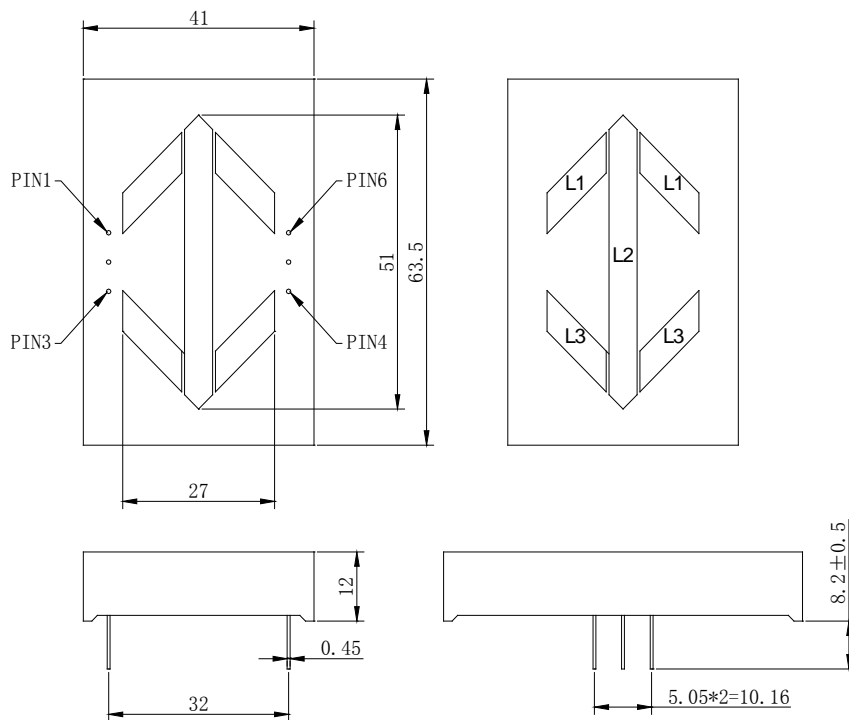


YETDA INDUSTRY LTD.

P.C.B. Pin Connection



Reflector Dimensions



Unit:mm