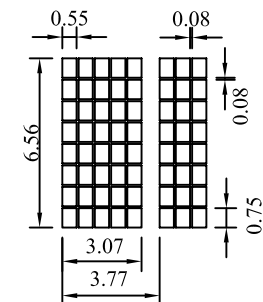
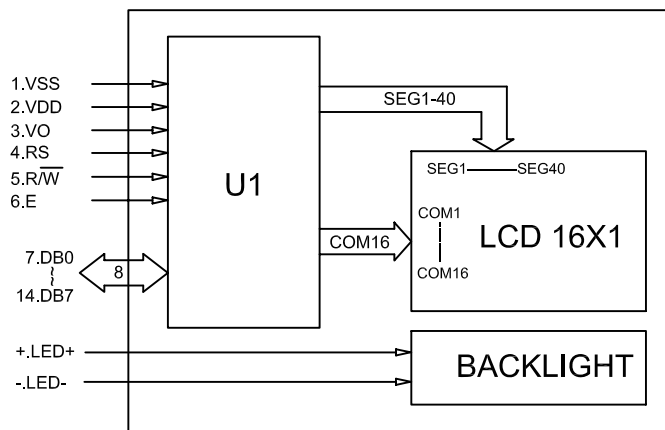


ITEM	T1	T2
BACKLIGHT	10.2	13.0
WITHOUT BL	6.2	8.5

-	LED-
+	LED+
14	DB7
13	DB6
12	DB5
11	DB4
10	DB3
9	DB2
8	DB1
7	DB0
6	E
5	R/W
4	RS
3	V0
2	VDD(5V)
1	VSS
PIN	SYMBOL



Display Pattern



ITEM	SELECTABLE CONTENTS
DISPLAY MODE	STN YELLOW MODE
	STN GRAY MODE
	STN BLUE MODE
	FSTN
POLARIZER TYPE	REFLECTIVE
	TRANSFLECTIVE
	TRANSMISSIVE, POSITIVE
	TRANSMISSIVE, NEGATIVE
VIEWING DIRECTION	6 O'CLOCK
	12 O'CLOCK
LED BACKLIGHT	WHITE
	Y-G
	RED
	GREEN
	BLUE
	AMBER
	TRI-COLOR
TEMPERATURE RANGE	STANDARD TEMPERATURE
	WIDE TEMPERATURE
CHARACTER PATTERNS	ENGLISH-JAPANESE FONTS
	ENGLISH-EUROPEAN FONTS
	ENGLISH-RUSSIAN FONTS
	CYRILLIC FONTS
	HEBREW FONTS
OPERATING VOLTAGE	5V
LCD DRIVING VOLTAGE	4.5V
LCD DRIVE METHOD	1/16 DUTY 1/5 BIAS
LCD DRIVE IC	SPLC780D-001 OR EQUIV

NOTE:

- 1.The backlight can be driven by pin+,pin- or pin1 ,pin2 which is selectable.
- 2.The voltage of backlight is depended on the backlight color and the value of current-limiting resistance.
- 3.The operating voltage can be driven by 3.3v which is selectable.

THE PART NUMBER IN MASS PRODUCTION

- 1.GRAY STN, TRANSFLECTIVE LCD; Y-G BACKLIGHT; 6 O'CLOCK;
- 2.Y-G STN, TRANSFLECTIVE LCD; Y-G BACKLIGHT; 6 O'CLOCK OR 12 O'CLOCK;
- 3.BLUE STN, TRANSMISSIVE NEGATIVE LCD; WHITE BACKLIGHT; 6 O'CLOCK;
- 4.GRAY STN, REFLECTIVE LCD; WITHOUT BACKLIGHT; 6 O'CLOCK OR 12 O'CLOCK;
- 5.Y-G STN, REFLECTIVE LCD; WITHOUT BACKLIGHT; 6 O'CLOCK;
- 6.--

UNIT	MM	TOLERANCE	X.X = ±0.2
3RD ANGLE		X.XX = ±0.10	ANG = -
SCALE:	1:1		
DRAWN:			
CHECKED:			
APPROVED:			

**DISPLAYTRONIC**

XIAMEN ZETTLER ELECTRONICS CO., LTD.

TITLE:	LCM		
MODEL NO:	ACM1601C SERIES	REV	A
PART NO:		SH NO	1/1