

# 5mm Blue Super Bright LED Lamps S500NEB4D-H

(date: 2009-05-19)

- 5 mm with Super Bright Blue(InGaN) dice.
- Encapsulated with Water Clear Lens package.
- \* Two leads .

**Absolute Maximum Ratings :**

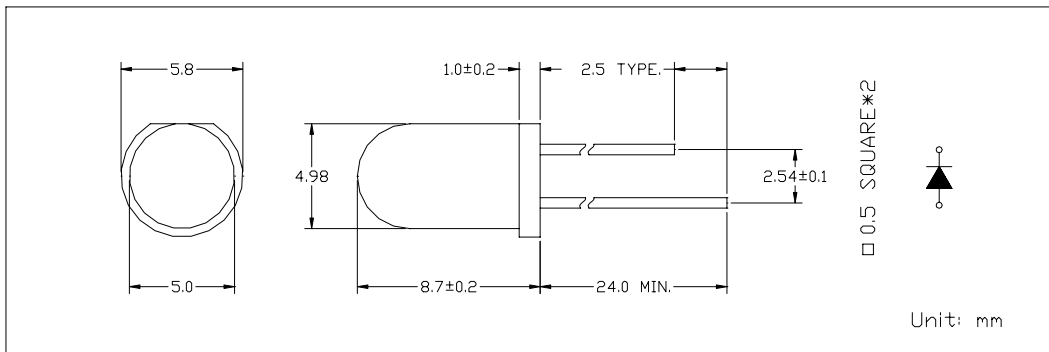
Parameter	Maximum Rating	Unit
Peak Forward Current	120	mA
Continuous Forward Current	30	mA
Operating Temperature Range	-20°C to + 75°C	
Storage Temperature Range	-40°C + 100°C	
Lead Soldering Temperature	260°C for 3 seconds	

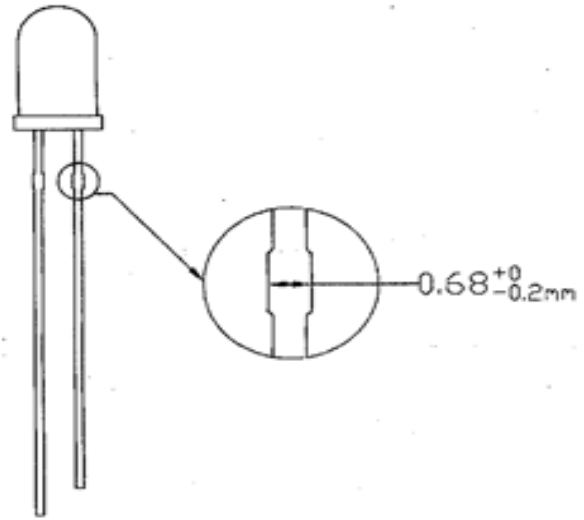
**Electro-Optical Characteristics ( Ta = 25°C )**

Parameter Radiant	Test Condition	Symbol	Min.	Typ.	Max.	Unit
Forward Voltage	If = 20mA	Vf	3.0	3.2		V
Reverse Current	Vr = 5V	Ir			10	uA
Luminous Intensity	If = 20mA	Iv	6500	8500		mcd
Spectral Bandwidth	If = 20mA	$\Delta\lambda$		35		nm
Wavelength	If = 20mA	$\Delta p$		470		nm
		$\Delta d$	460	465	470	nm
Half View Angle	If = 20mA	2 $\theta$ 1/2		30		deg

## Package

Item: 500





## BINNING SPECIFICATION

IV (mcd)								
7	8	9	A	B	C	D	E	F
5500-6000	6000-6500	6500-7000	7000-7500	7500-8000	8000-8500	8500-9000	9000-9500	9500-10000

Wavelength (nm)							
1	2	3	4	5	6	7	8
			460-465	465-470	475-475		

vf (v)							
1	2	3	4	5	6	7	8
	3.0-3.2	3.2-3.4	3.4-3.6				