



YETDA INDUSTRY LTD.

5mm Blue Super Bright LED Lamps S500NEB4D-H-G

- 5mm with Super Bright Blue InGaN dice ◦
- Encapsulated with Water Clear lens package ◦
- Long Leads ◦

****Specially made for customer that soldering parts in direct contact with PCB*

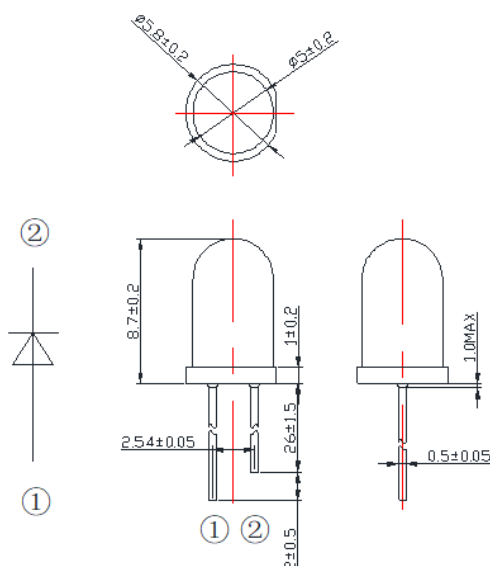
Absolute Maximum Ratings :

| Parameter | Maximum Rating | Unit |
|-----------------------------|---------------------|------|
| Peak Forward Current | 120 | mA |
| Continuous Forward Current | 30 | mA |
| Operating Temperature Range | -40°C to +85°C | |
| Storage Temperature Range | -50°C to +100°C | |
| Lead Soldering Temperature | 260°C for 3 seconds | |

Electro-Optical Characteristics (Ta = 25°C)

| Parameter Radiant | Test Condition | Symbol | Min. | Typ. | Max. | Unit |
|--------------------|----------------|------------------|------|------|------|------|
| Forward Voltage | If = 20mA | Vf | 3.0 | 3.2 | | V |
| Reverse Current | Vr = 5V | Ir | | | 10 | uA |
| Luminous Intensity | If = 20mA | Iv | 6500 | | | mcd |
| Spectral Bandwidth | If = 20mA | $\Delta\lambda$ | | 35 | | nm |
| Wavelength | If = 20mA | λ_p | | 470 | | nm |
| | | λ_d | | 465 | 475 | nm |
| Half View Angle | If = 20mA | 2 $\theta_{1/2}$ | | 30 | | deg |

Package:

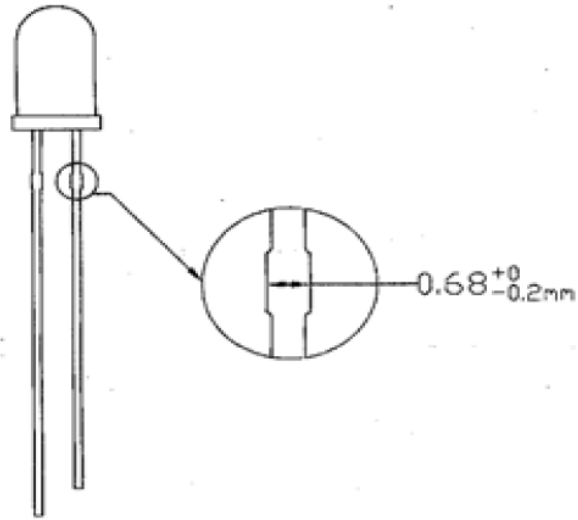


Notes:

- All dimensions are in millimeters (inches)
- Tolerance is ± 0.25 (.010)mm unless otherwise noted
- Protruded resin under flange is 1.0mm (.04) max
- Lead spacing is measured where the leads emerge from the package
- Specifications are subject to change without notice



YETDA INDUSTRY LTD.



BINNING SPECIFICATION

| IV (mcd) | | | | | | | | |
|-----------|-----------|-----------|-----------|-----------|-----------|-----------|-----------|------------|
| 7 | 8 | 9 | A | B | C | D | E | F |
| 5500-6000 | 6000-6500 | 6500-7000 | 7000-7500 | 7500-8000 | 8000-8500 | 8500-9000 | 9000-9500 | 9500-10000 |

| Wavelength (nm) | | | | | | | |
|-----------------|---|---|---------|---------|---------|---|---|
| 1 | 2 | 3 | 4 | 5 | 6 | 7 | 8 |
| | | | 460-465 | 465-470 | 475-475 | | |

| vf (v) | | | | | | | |
|--------|---------|---------|---------|---|---|---|---|
| 1 | 2 | 3 | 4 | 5 | 6 | 7 | 8 |
| | 3.0-3.2 | 3.2-3.4 | 3.4-3.6 | | | | |