

PPC 15''~22''W Series

15''/17''/22''W Plastic Touch Panel PC

Quick Reference Guide

1st Ed – 07 January, 2009

Copyright Notice

Copyright © 2007-2009 Avalue Technology Inc., ALL RIGHTS RESERVED.

Part No. E2017PPC0A0R

Contents

- 1. Getting Started.....3**
 - 1.1 Safety Precautions3
 - 1.2 Packing List3
 - 1.3 System Specifications4
 - 1.4 System Overview.....8
 - 1.4.1 Front View 8
 - 1.4.2 Rear View..... 9
 - 1.5 System Dimensions10
 - 1.5.1 PPC 15" Series 10
 - 1.5.2 PPC 17" Series 11
 - 1.5.3 PPC 22" Widescreen Series 12
- 2. Hardware Configuration.....13**
 - 2.1 Jumper and Connector Setting, Driver and BIOS Installing13
 - 2.2 Installing Hard Disk & Memory14
 - 2.2.1 Install 2.5" HDD..... 14
 - 2.3 Installing Panel PC Stand.....17
 - 2.4 Installing Optional MSR Module18

1. Getting Started

1.1 Safety Precautions

Warning!



Always completely disconnect the power cord from your chassis whenever you work with the hardware. Do not make connections while the power is on. Sensitive electronic components can be damaged by sudden power surges. Only experienced electronics personnel should open the PC chassis.

Caution!



Always ground yourself to remove any static charge before touching the CPU card. Modern electronic devices are very sensitive to static electric charges. As a safety precaution, use a grounding wrist strap at all times. Place all electronic components in a static-dissipative surface or static-shielded bag when they are not in the chassis.



1.2 Packing List

- 1 x PPC 15"/17"/22"W Series Panel PC
- 1 x Quick Reference Guide
- 1 x CD/DVD-ROM contains the followings:
 - User's Manual (this manual in PDF file)
 - Ethernet driver and utilities
 - VGA drivers and utilities
 - Audio drivers and utilities
 - WiFi drivers and utilities
 - Touch controller drivers and utilities
- 1 x Power Adapter
- 1 x Stand for Panel PC (with 6 screws & 5 rubber-foot)
- 1 x MSR set with bracket (for optional MSR)





If any of the above items is damaged or missing, contact your retailer.

1.3 System Specifications

Panel 			
	PPC-1501	PPC-1701	PPC-22W01
LCD size	15", 4:3	17", 4:3	22", 16:10
Display type	XGA TFT	SXGA TFT	WSXGA TFT
Resolution	1024x768	1280 x 1024	1680 x 1050
Color	16.2M	16M	16.7M
Pixel pitch	0.297mm(H) x 0.297mm(V)	0.264mm(H) x 0.264mm(V)	0.282mm(H) x 0.282mm(V)
Luminance	250 cd/m ²	300 cd/m ²	300 cd/m ²
Contrast ratio	500	400	700
Viewing angle	64(U), 60(D), 70(L), 70(R)	60(U), 55(D), 60(L), 50(R)	80(U), 80(D), 85(L), 85(R)
Response time	8 ms	16 ms	5 ms
Backlight	2 x CCFL	4 x CCFL	4 x CCFL
Touch Type	5 Wires resistive	5 Wires resistive	5 Wires resistive
Touch Light Transmission	80%	80%	80%
Touch Interface	USB	USB	USB
System 			
Board	EBM-CX700		
CPU	Onboard VIA Eden V4 ULV 1G (3.5W)		
System Chipset	VIA CX700M		
I/O Chip	VIA VT1211		
Memory	One 200-pin DDR2 SODIMM socket, supports up to 1GB DDR2 400/533 SDRAM		
SSD	One CF socket by IDE secondary slave channel supports Type I / II Compact Flash Card		
HDD Drive Bay	One 2.5" SATA HDD or optional 44-pin enhanced IDE HDD		
WiFi	Optional USB WiFi 802.11b/g		
Watchdog Timer	Reset: 1 sec.~255 min. and 1 sec. or 1 min./step		
H/W Status Monitor	Monitoring system temperature and voltage. Auto throttling control when CPU overheats		
Expansion Slot	1 x Mini PCI		

Rear Panel I/O			
Serial Port	1 x RS-232		
Ethernet	2 x RJ-45		
VGA	1 x DB-15		
Audio port	1 x Line out		
USB	2 x USB 2.0		
Speaker	2W x 2		
Mechanical & Environmental			
System Fan	Passive Heat Sink		
Color	Front & Rear panel Black (Plastics)		
Mounting	Wall/Stand/VESA 100 mm X 100 mm		
Power Input	100~250 Vdc/ 47~63 Hz		
Power Output	+12 Vdc / 5 A (60W)		
Operating Temperature	0 to 40°C (32 to 140°F)		
Storage Temperature	-10°C to 50°C		
Relative Humidity	0%~90% relative humidity, non-condensing		
Dimensions	340 x 285 x 53 mm	372 x 324 x 53 mm	510 x 352 x 55 mm
Weight	2.79 Kgs	3.79 Kgs	4.79 Kgs

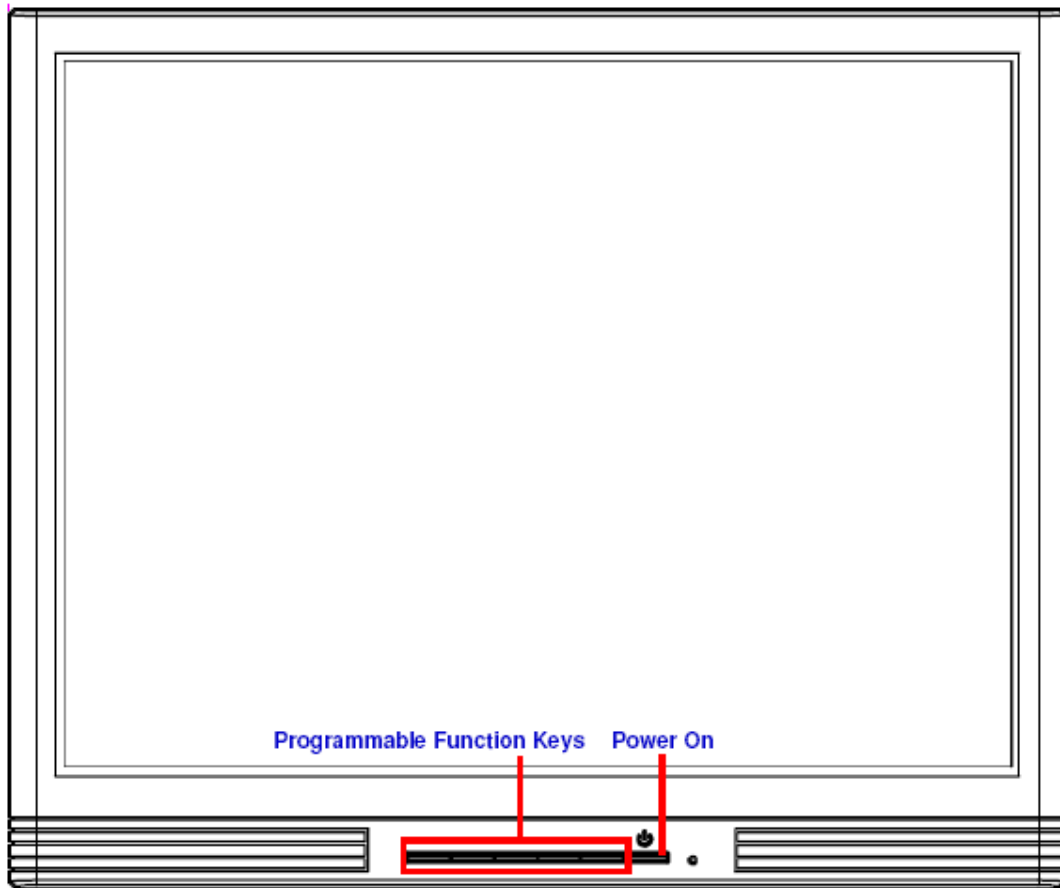
PPC 15"~22"W Series

Panel 			
	PPC-1502	PPC-1702	PPC-22W02
LCD size	15", 4:3	17", 4:3	22", 16:10
Display type	XGA TFT	SXGA TFT	WSXGA TFT
Resolution	1024x768	1280 x 1024	1680 x 1050
Color	16.2M	16M	16.7M
Pixel pitch	0.297mm(H) x 0.297mm(V)	0.264mm(H) x 0.264mm(V)	0.282mm(H) x 0.282mm(V)
Luminance	250 cd/m ²	300 cd/m ²	300 cd/m ²
Contrast ratio	500	400	700
Viewing angle	64(U), 60(D), 70(L), 70(R)	60(U), 55(D), 60(L), 50(R)	80(U), 80(D), 85(L), 85(R)
Response time	8 ms	16 ms	5 ms
Backlight	2 x CCFL	4 x CCFL	4 x CCFL
Touch Type	5 Wires resistive	5 Wires resistive	5 Wires resistive
Touch Light Transmission	80%	80%	80%
Touch Interface	USB	USB	USB
System 			
Board	EBM-945GS		
CPU	Onboard Intel N270 Atom processor 1.6GHz, (2.5W)		
System Chipset	Intel 945GSE + ICH7-M		
I/O Chip	ITE IT8712F/KX		
Memory	One 200-pin DDR2 SODIMM socket, supports up to 1 GB DDR2 400/533 SDRAM		
SSD	One CF socket by IDE secondary slave channel supports Type I / II Compact Flash Card		
HDD Drive Bay	One 2.5" SATA HDD or optional 44-pin enhanced IDE HDD		
WiFi	Optional USB WiFi 802.11b/g		
Watchdog Timer	Reset: 1~65535 sec./min. and 1 min./step		
H/W Status Monitor	Monitoring system temperature and voltage. Auto throttling control when CPU overheats		
Expansion Slot	One Mini PCI slot, one Mini PCI-E slot		

Rear Panel I/O			
Serial Port	1 x RS-232		
Ethernet	2 x RJ-45		
VGA	1 x DB-15		
Audio port	1 x Line out		
USB	2 x USB 2.0		
Speaker	2W x 2		
Mechanical & Environmental			
System Fan	Passive Heat Sink		
Color	Front & Rear panel Black (Plastics)		
Mounting	Wall/Stand/VESA 100 mm X 100 mm		
Power Input	100~250 Vdc/ 47~63 Hz		
Power Output	+12 Vdc / 5 A (60W)		
Operating Temperature	0 to 40°C (32 to 140°F)		
Storage Temperature	-10°C to 50°C		
Relative Humidity	0%~90% relative humidity, non-condensing		
Dimensions	340 x 285 x 53 mm	372 x 324 x 53 mm	510 x 352 x 55 mm
Weight	2.79 Kgs	3.79 Kgs	4.79 Kgs

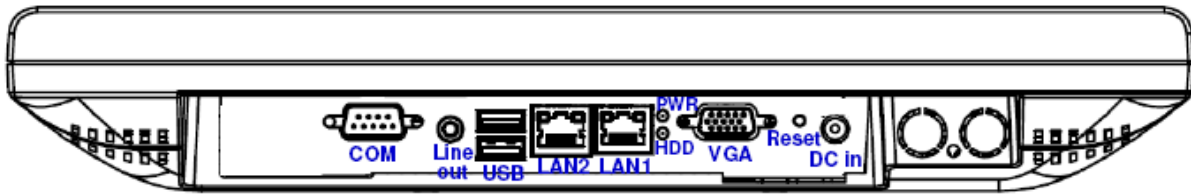
1.4 System Overview

1.4.1 Front View



Note: The programmable function keys are available to be programmed by the user, and they are unable to work unless programmed.

1.4.2 Rear View

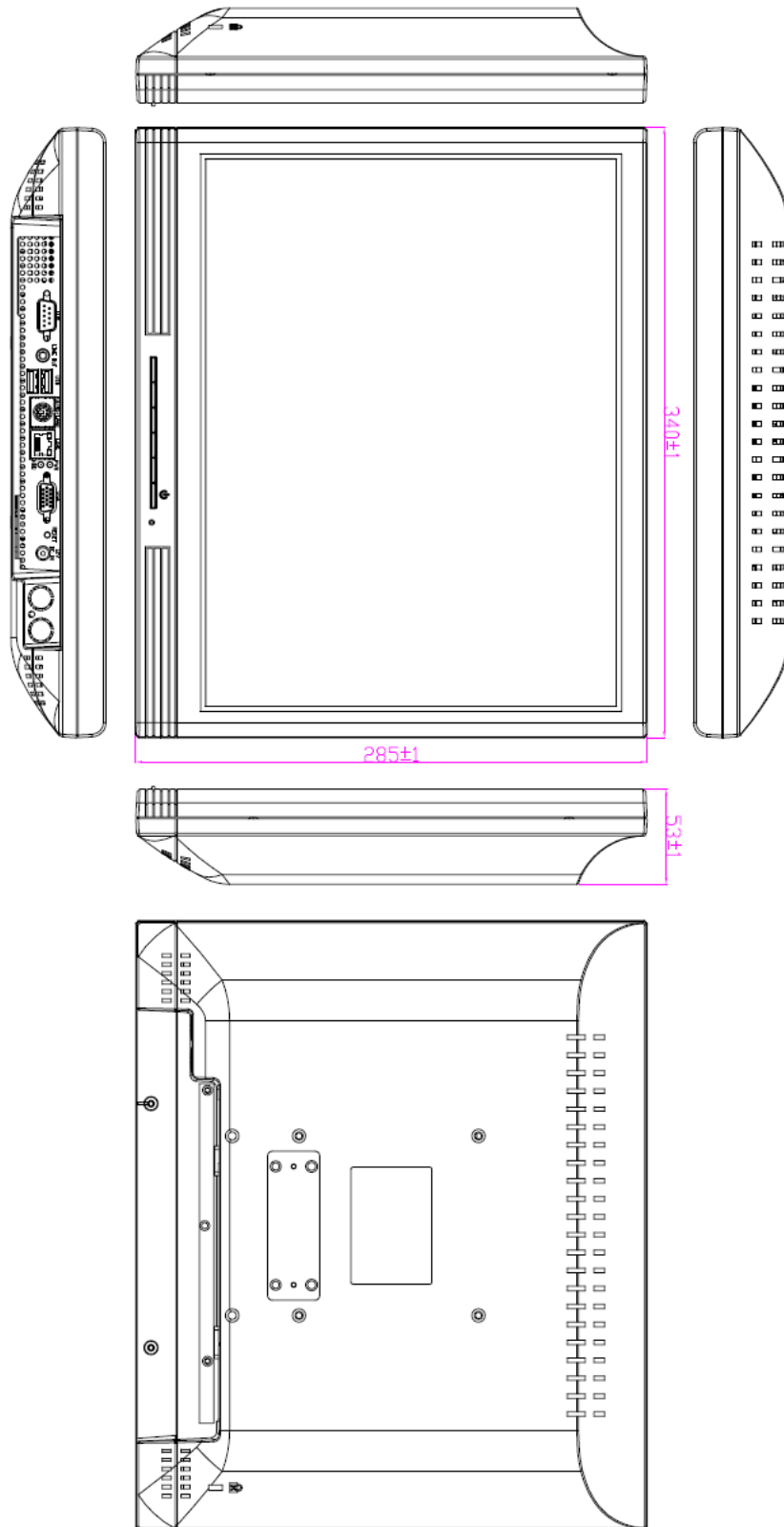


Connectors

Label	Function	Note
COM	Serial port	DB-9 male connector
DC in	DC-in power connector	
HDD	HDD LED	
LAN1	10/100/1000Base-Tx Ethernet connector	RJ-45
LAN2	10/100/1000Base-Tx Ethernet connector (or optional PS/2 keyboard & mouse)	RJ-45 (or optional 6-pin Mini DIN)
LINE OUT	Line-out audio jack	
PWR	Power LED	
Reset	Rest button	
USB	USB 2.0 connector	
VGA	CRT connector	DB-15 female connector

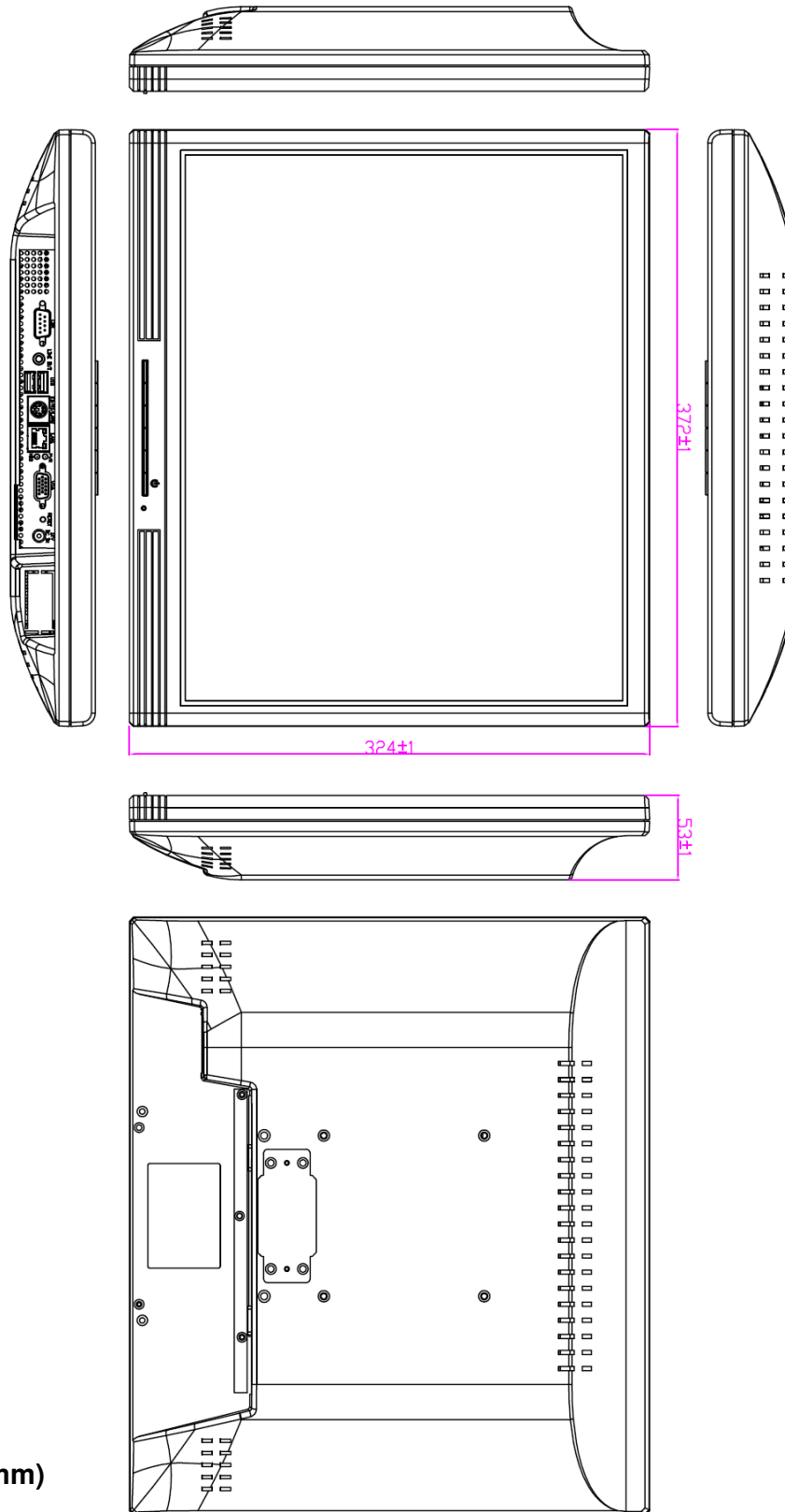
1.5 System Dimensions

1.5.1 PPC 15" Series



(Unit: mm)

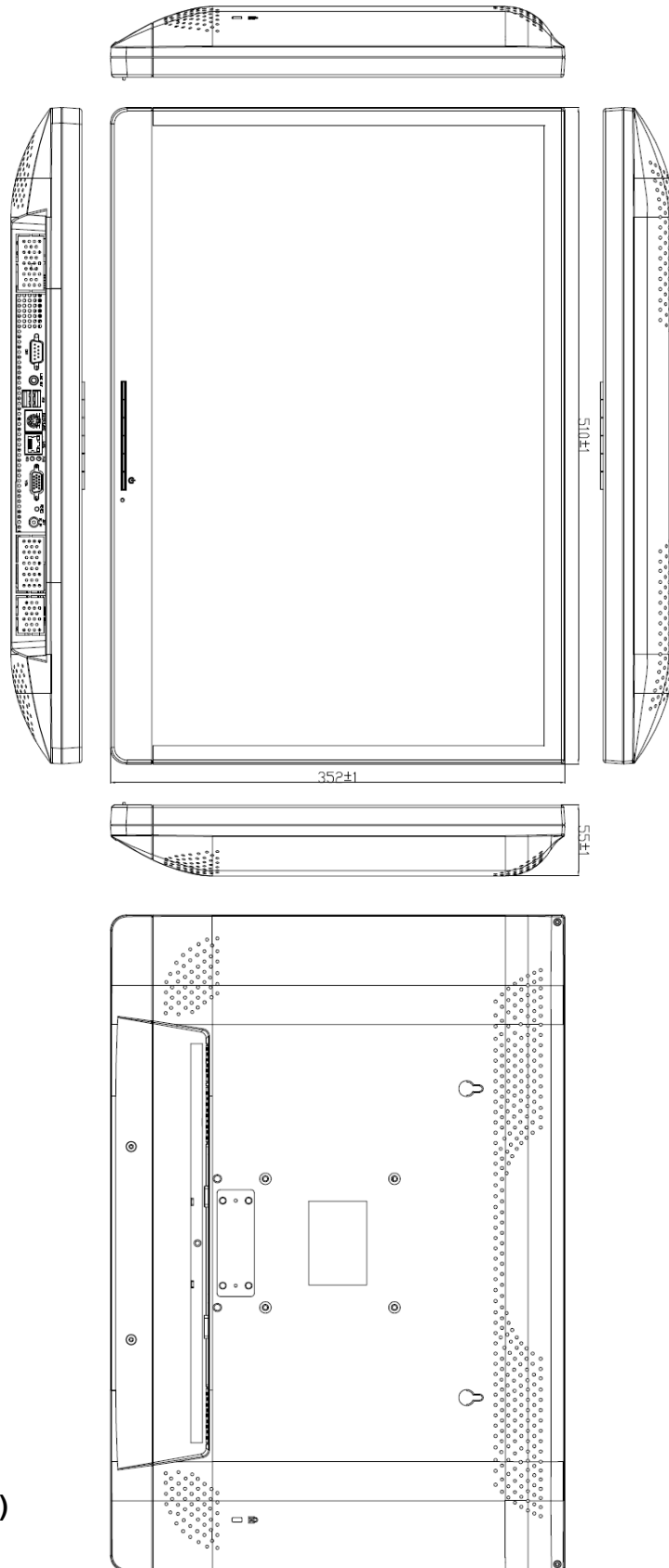
1.5.2 PPC 17" Series



(Unit: mm)

PPC 15"~22"W Series

1.5.3 PPC 22" Widescreen Series



(Unit: mm)

2. Hardware Configuration

2.1 Jumper and Connector Setting, Driver and BIOS Installing

- Please refer to EBM-CX700, EBM-945GS Quick Installation Guide or User's Manual.

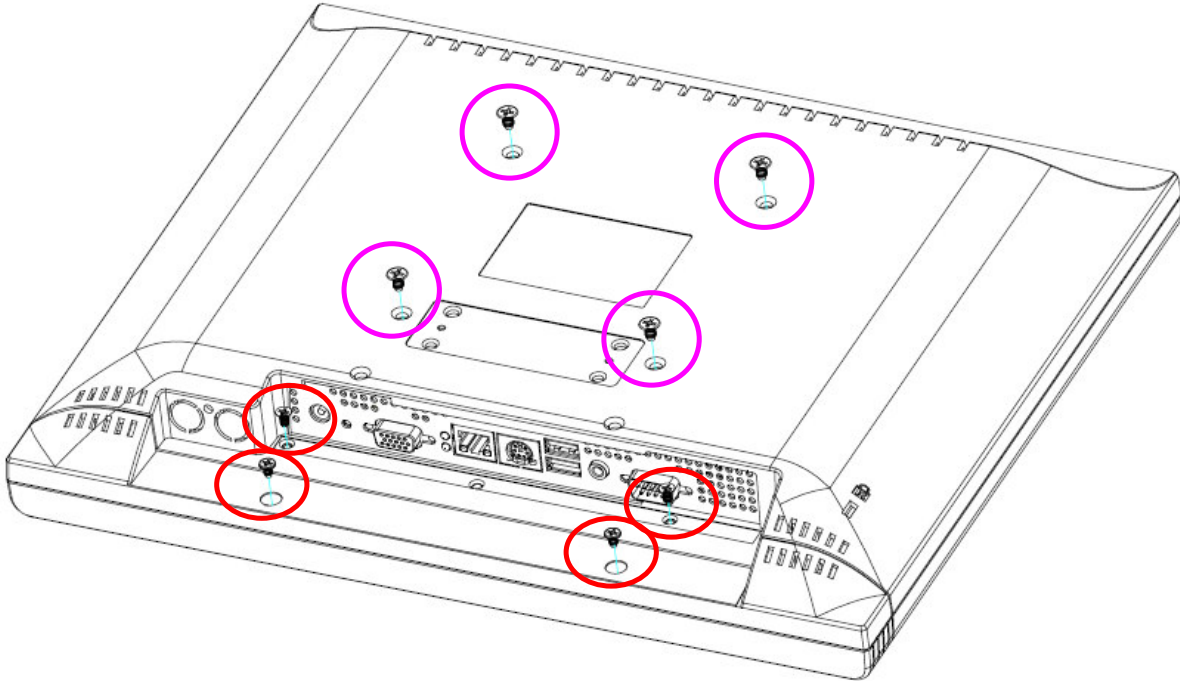


Note: If you need more information, please visit our website:

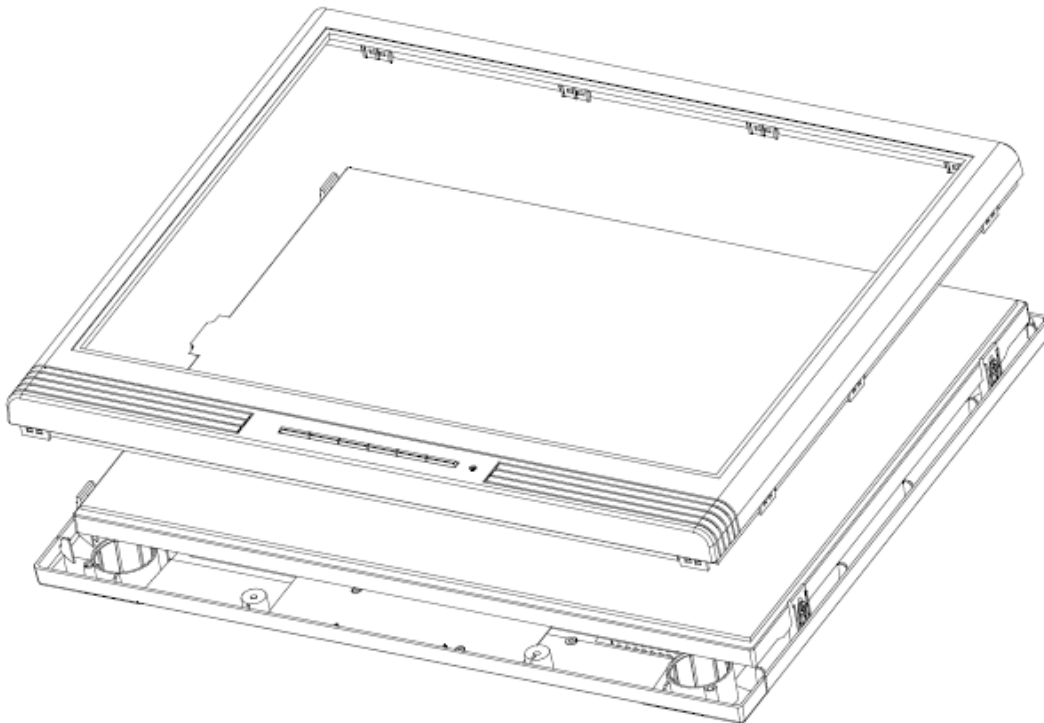
<http://www.avalue.com.tw>

2.2 Installing Hard Disk & Memory

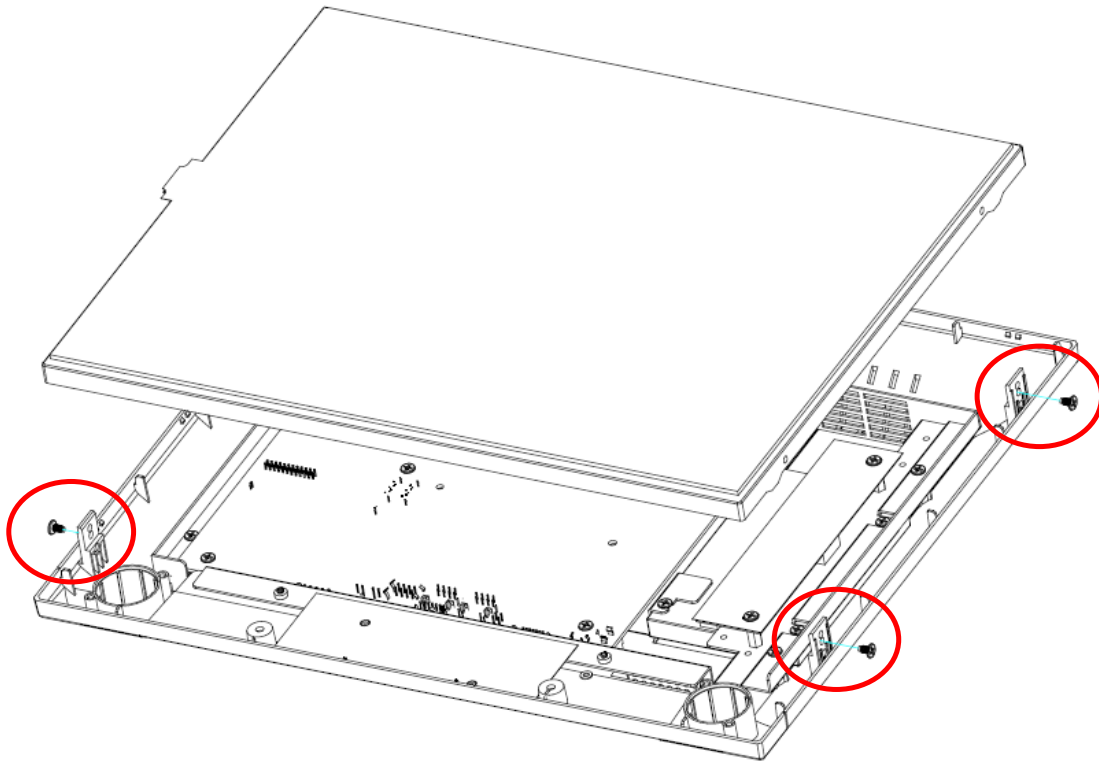
2.2.1 Install 2.5" HDD



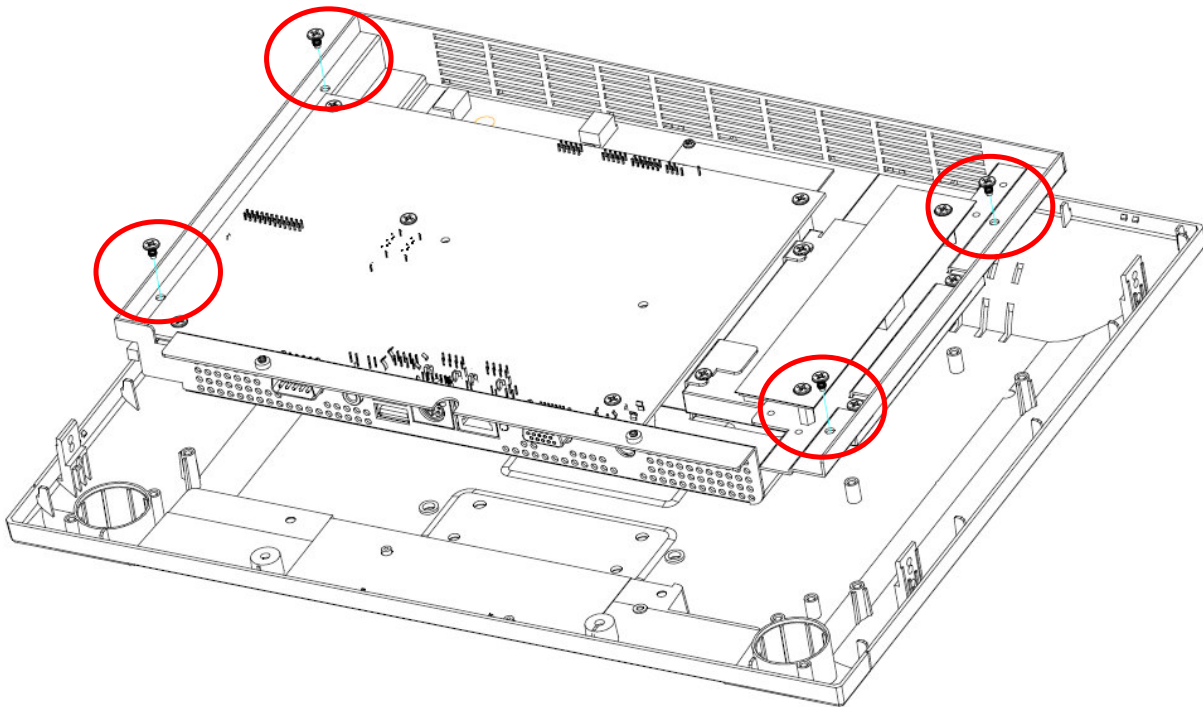
Step 1. Unfasten 4 screws from the rear middle side and 4 screws from the rear bottom side of PPC-1501 as above.



Step 2. Remove the front panel chassis.

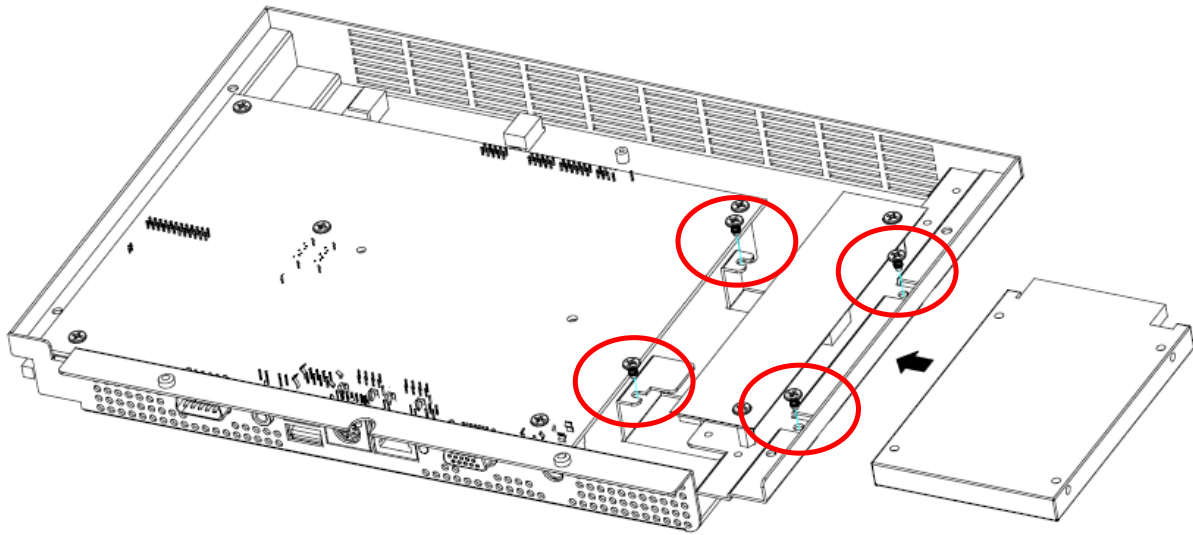


Step 3. Unlock 4 screws from the panel through the bottom chassis as above.



Step 4. Unfasten 4 screws from the metal bracket through the bottom chassis as indicated.

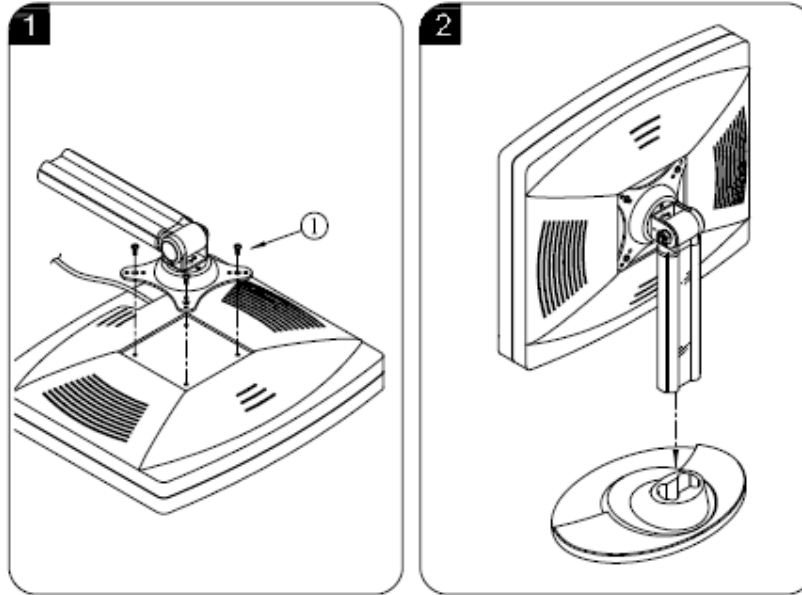
PPC 15"~22"W Series



Step 5. Place the 2.5" HDD to the right position and fasten 4 screws to fix.

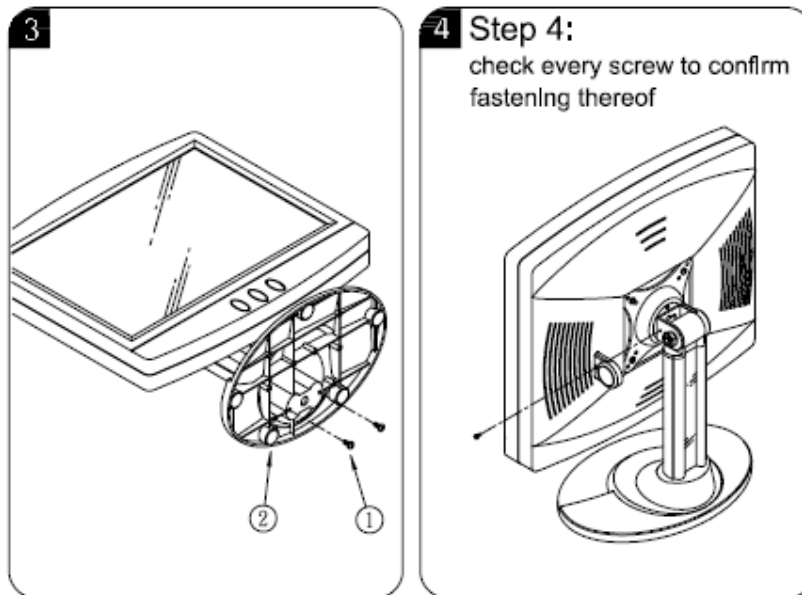
Step 6. Assemble the whole system as step 5, 4, 3, 2, 1.

2.3 Installing Panel PC Stand



Step 1. Fasten 4 screws from the as indicated as above.

Step 2. Place the stand into the plastic plate.



Step 3. Stick the rubber-foot onto the backward of plastic plate and locked with 2 screws.

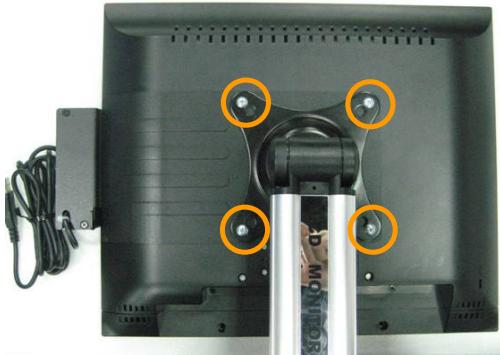
2.4 Installing Optional MSR Module



Step 1. Take out the MSR with bracket module from the accessory box.



Step 2. Place the MSR module onto the back of PPC-1501 and make sure the holes meet the VESA mountings.



Step 3. Put on the stand right above the MSR module and have 4 screws locked.



Step 4. Make the cable passed the hook of the bracket, and then plug the USB cable to the USB connector.

