

FPC 08W Series

8" Widescreen Multi-functional Touch Panel PC

Quick Reference Guide

2nd Ed – 28 June, 2010

Copyright Notice

Copyright © 2010 Avalue Technology Inc., ALL RIGHTS RESERVED.

Part No. E201708WAA1R

Contents

1. Getting Started	3
1.1 Safety Precautions	3
1.2 Packing List	3
1.3 System Specifications	4
1.4 System Overview.....	8
1.4.1 Rear View.....	8
1.4.2 Right View	8
1.5 System Dimensions.....	9
1.5.1 FPC-08WA1/04 Series.....	9
1.5.2 FPC-08W05 Series	10
2. Hardware Configuration	11
2.1 Jumper and Connector Setting, Driver and BIOS Installing.....	11
2.2 Installing Memory	12
2.2.1 Install Memory for FPC-08W04	12
2.3 Installing CF Card.....	15

1. Getting Started

1.1 Safety Precautions

Warning!



Always completely disconnect the power cord from your chassis whenever you work with the hardware. Do not make connections while the power is on. Sensitive electronic components can be damaged by sudden power surges. Only experienced electronics personnel should open the PC chassis.

Caution!



Always ground yourself to remove any static charge before touching the CPU card. Modern electronic devices are very sensitive to static electric charges. As a safety precaution, use a grounding wrist strap at all times. Place all electronic components in a static-dissipative surface or static-shielded bag when they are not in the chassis.



1.2 Packing List



- 1 x FPC 08W Series Panel PC
- 1 x Quick Reference Guide
- 1 x CD/DVD-ROM contains the followings:
 - User's Manual (this manual in PDF file)
 - Ethernet driver and utilities
 - VGA drivers and utilities
 - Audio drivers and utilities
 - WiFi drivers and utilities
 - Touch controller drivers and utilities
- 1 x Power Adapter
- 4 x screws for VESA



If any of the above items is damaged or missing, contact your retailer.

1.3 System Specifications



Panel 		
	FPC-08WA1	FPC-08W04
LCD size	8.9"	
Display type	WSVGA TFT	
Resolution	1024x600	
Color	262K	
Pixel pitch	0.1905mm(H) x 0.189mm(V)	
Luminance	250 cd/m ²	
Contrast ratio	300	
Viewing angle	15(U), 35(D), 45(L), 45(R)	
Response time	30 ms	
Backlight	LED	
Touch Type	5-wire Resistive	
Touch Light Transmission	80%	
Touch Interface	USB onboard touch interface	USB
System 		
Board	ECM-LX800D	ECM-945GSE
CPU	Onboard AMD Geode LX800 @ 0.9 W 500 MHz with 128K L2 cache	Intel® Atom processor N270 1.6GHz CPU
Cooling Method	Passive CPU heatsink	
System Chipset	AMD Geode LX800/CS5536	Intel® 945GSE / ICH7-M
I/O Chip	Winbond W83627HG-AW	ITE IT8712F
Memory	Onboard 512MB DDR Memory	One 200-pin SODIMM socket supports up to 2GB DDR2 400/533MHz SDRAM
SSD	One CF socket by IDE secondary slave channel supports Type I / II Compact Flash Card	
WiFi	Optional USB WiFi 802.11 b/g (occupy one USB port)	Optional USB WiFi 802.11 b/g



Rear Panel I/O 		
Serial Port	1 x RS-232, 1 x RS-232 or optional RS-422/485	
Ethernet	Dual Realtek RTL8101L LAN	Dual Marvell 88E8053 GigaLAN
VGA	1 x DB-15	
Audio port	1 x Line out, 1 x Mic in	
USB	2 x USB 2.0	4 x USB 2.0
Mouse & KB	1 x PS/2 Keyboard connector	n/a
Mechanical & Environmental 		
Color	Black	
Power Input	100~250 Vdc/ 47~63 Hz	
Power Output	+12 Vdc / 5 A (60W)	
Operating Temperature	-10°C to 60°C.	0°C to 40°C
Storage Temperature	-20°C to 70°C.	-10°C to 50°C
Relative Humidity	10% to 95% @ 40°C, non-condensing	
Mounting	Wall/Stand/VESA 75 mm X 75 mm	
Dimensions	225 mm X 139 mm X 38.9 mm	
Weight	1.26 Kgs	



- Note:**
1. FPC-08WA1 supports +10V~28V wide range power input.
 2. Either RS-232 or RS-422/485 for COM2 only.

FPC-08W Series

Panel 	
	FPC-08W05
LCD size	8.9"
Display type	WSVGA TFT
Resolution	1024x600
Color	262K
Pixel pitch	0.1905mm(H) x 0.189mm(V)
Luminance	250 cd/m ²
Contrast ratio	300
Viewing angle	15(U), 35(D), 45(L), 45(R)
Response time	30 ms
Backlight	LED
Touch Type	5-wire Resistive
Touch Light Transmission	80%
Touch Interface	USB
System 	
Board	ECM-PNV
CPU	Intel® Atom dual core D510 1.66GHz CPU
Cooling Method	Passive CPU heatsink
System Chipset	Intel® ICH8-M
I/O Chip	Winbond W83627HG-AW
Memory	One 200-pin SODIMM socket supports up to 2GB DDR2 400/533MHz SDRAM
SSD	One CF socket by IDE secondary slave channel supports Type I / II Compact Flash Card
WiFi	Optional USB WiFi 802.11 b/g

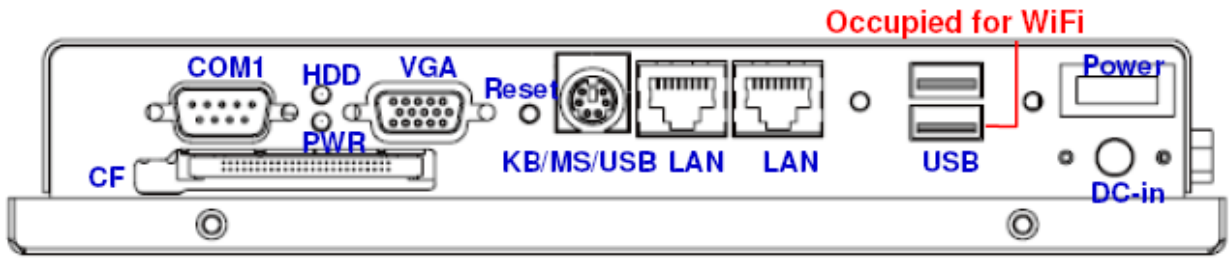
Rear Panel I/O 	
Serial Port	1 x RS-232, 1 x RS-232 or optional RS-422/485
Ethernet	Intel 82574L GigaLAN
VGA	1 x DB-15
Audio port	1 x Line out, 1 x Mic in
USB	4 x USB 2.0
Mouse & KB	n/a
Mechanical & Environmental 	
Color	Black
Power Input	100~250 Vdc/ 47~63 Hz
Power Output	+12 Vdc / 5 A (60W)
Operating Temperature	0°C to 40°C
Storage Temperature	-10°C to 50°C
Relative Humidity	10% to 95% @ 40°C, non-condensing
Mounting	Wall/Stand/VESA 75 mm X 75 mm
Dimensions	225 mm X 139 mm X 42 mm
Weight	1.5 Kgs



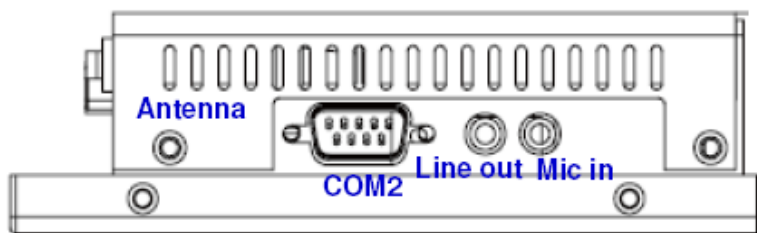
Note: 1. FPC-08W05 supports +10V~28V wide range power input.
 2. Either RS-232 or RS-422/485 for COM2 only.

1.4 System Overview

1.4.1 Rear View



1.4.2 Right View



Connectors

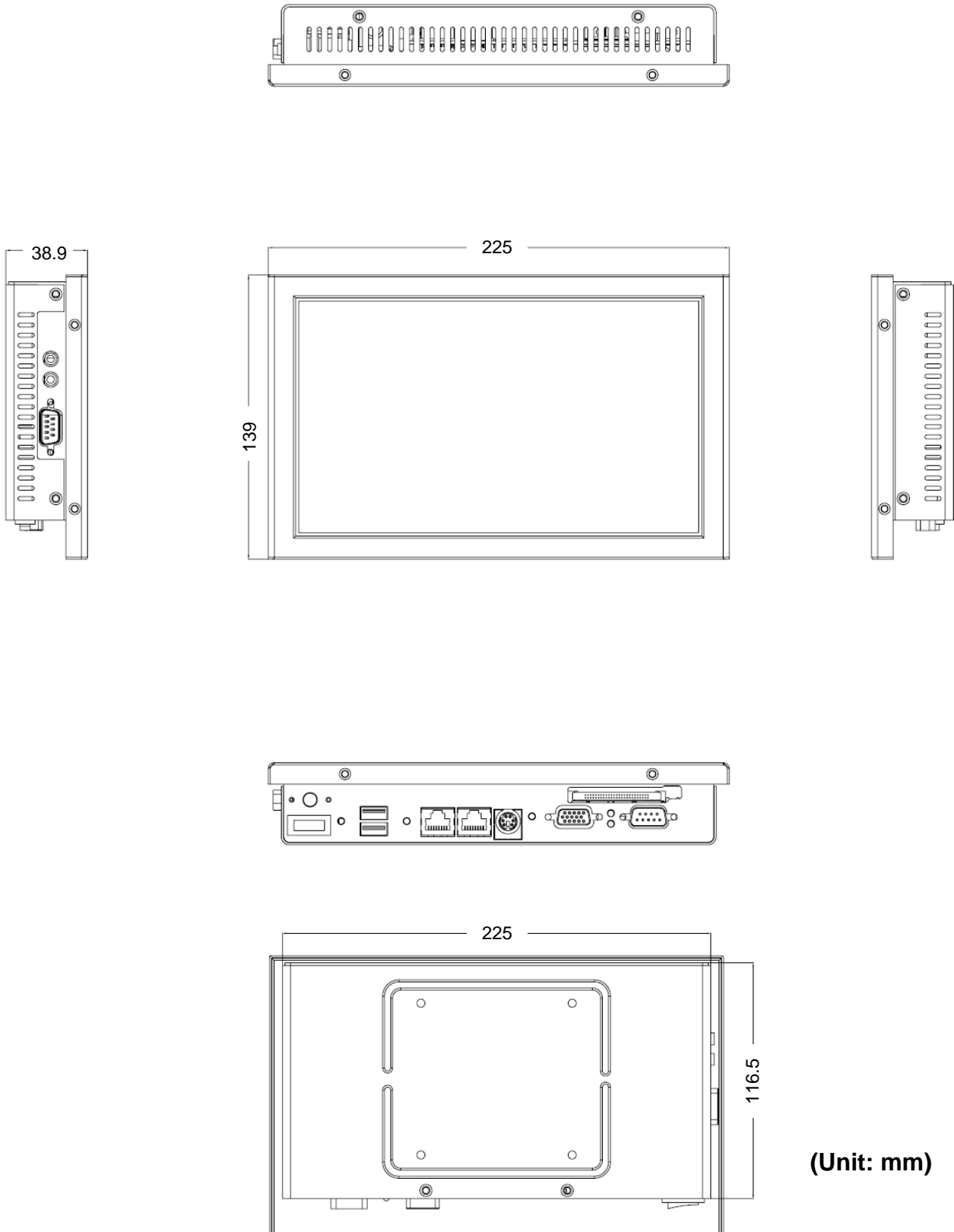
Label	Function	Note
Antenna	WiFi Antenna (with optional WiFi module)	
CF Cover	CompactFlash Type I/II socket with cover	
COM	Serial port 1 & 2 (Optional RS-422/485 for COM2)	DB-9 male connector
DC in	+12V DC-in power connector	
KB/MS/USB	PS/2 keyboard & mouse connector (FPC-08WA1) 2 x USB connector (FPC-08W04)	6-pin Mini DIN or dual USB decks
LAN	Ethernet connector	RJ-45
LINE OUT	Line-out audio jack	
Mic In	Mic-in audio jack	
Power	Power switch	
PWR	Power LED	
Reset	Reset button	
USB	USB 2.0 connector	
VGA	CRT connector	DB-15 female connector



Note: The optional WiFi will occupy one USB port for FPC-08WA1.

1.5 System Dimensions

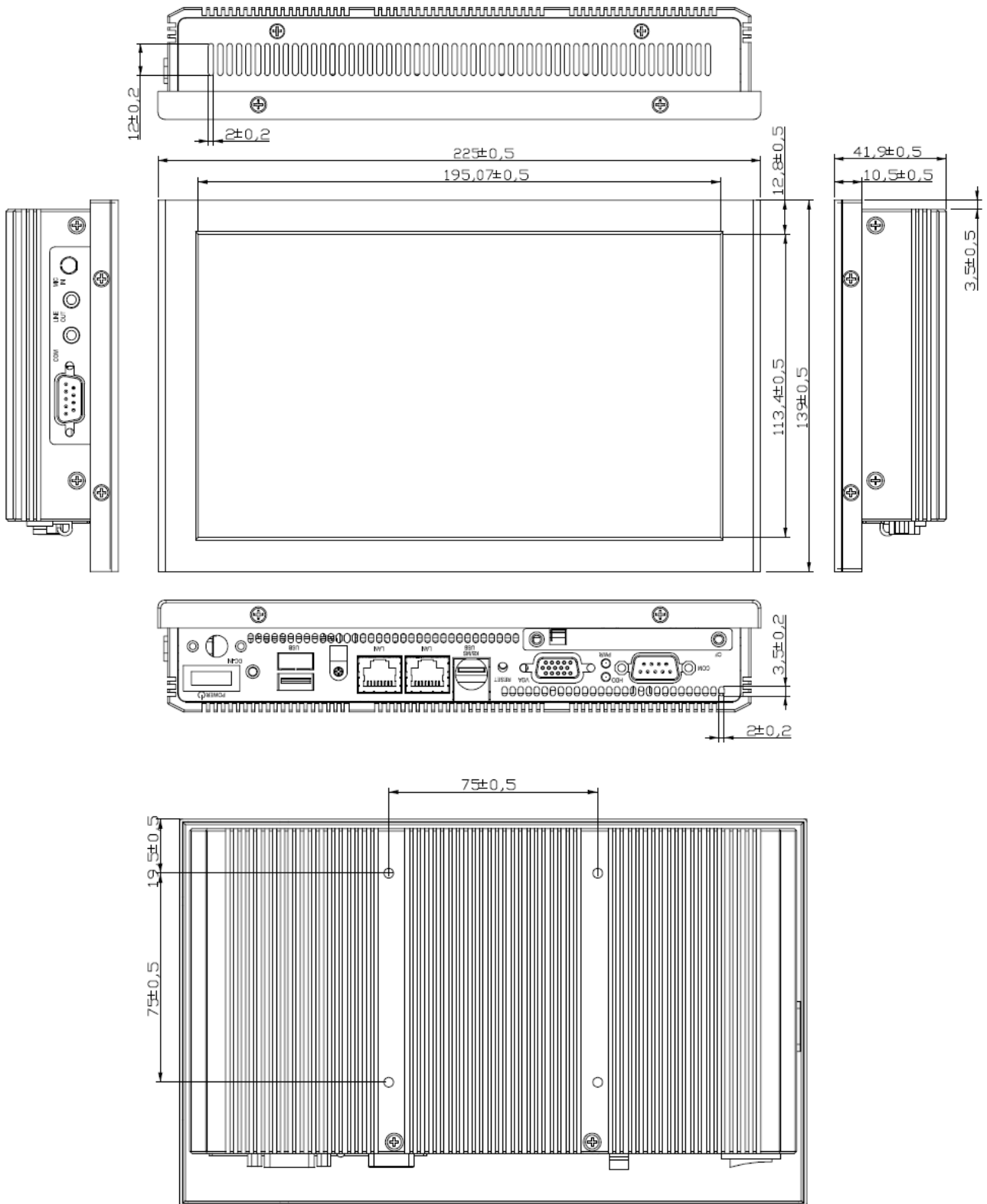
1.5.1 FPC-08WA1/04 Series



(Unit: mm)

FPC-08W Series

1.5.2 FPC-08W05 Series



2. Hardware Configuration

2.1 Jumper and Connector Setting, Driver and BIOS Installing

- Please refer to ECM-LX800D, ECM-945GSE Quick Installation Guide or User's Manual for further information.

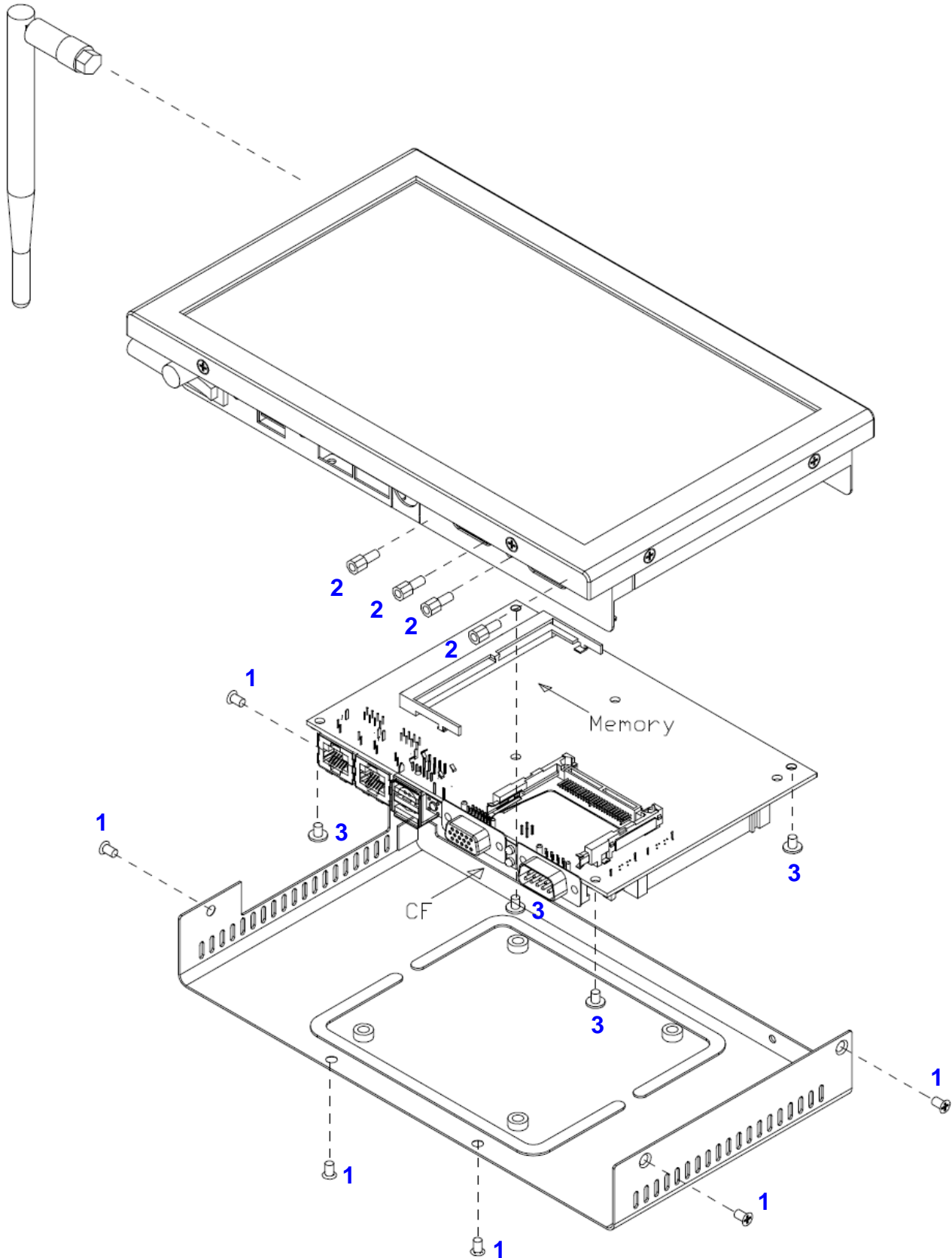


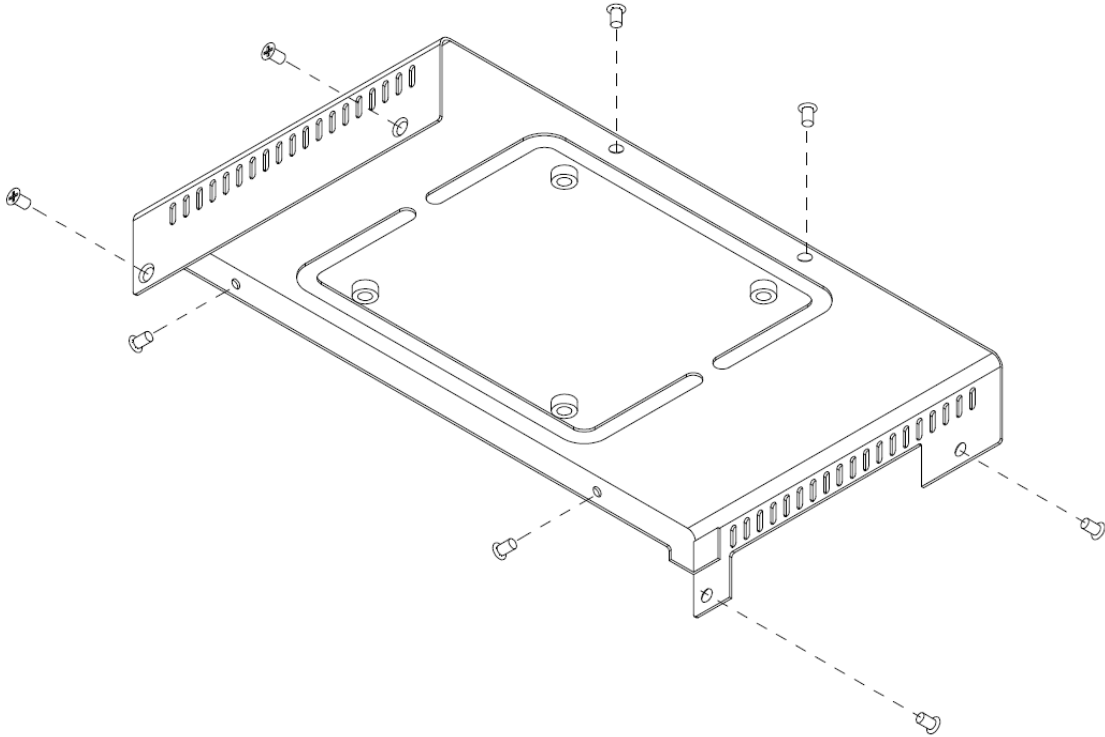
Note: If you need more information, please visit our website:

<http://www.avalue.com.tw>

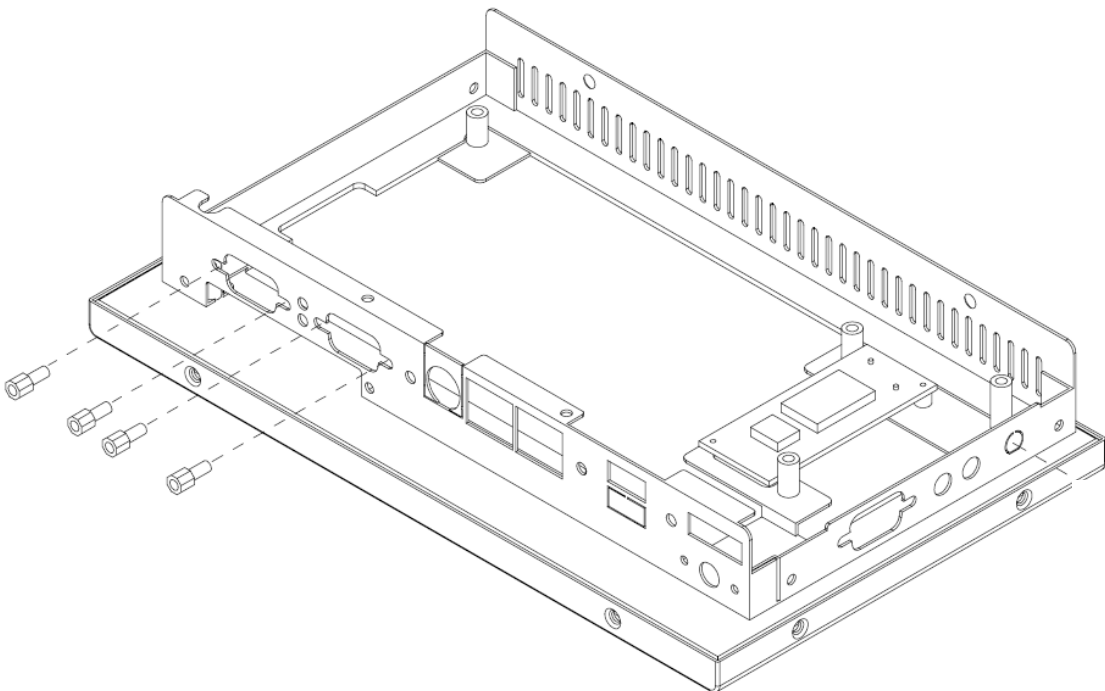
2.2 Installing Memory

2.2.1 Install Memory for FPC-08W04



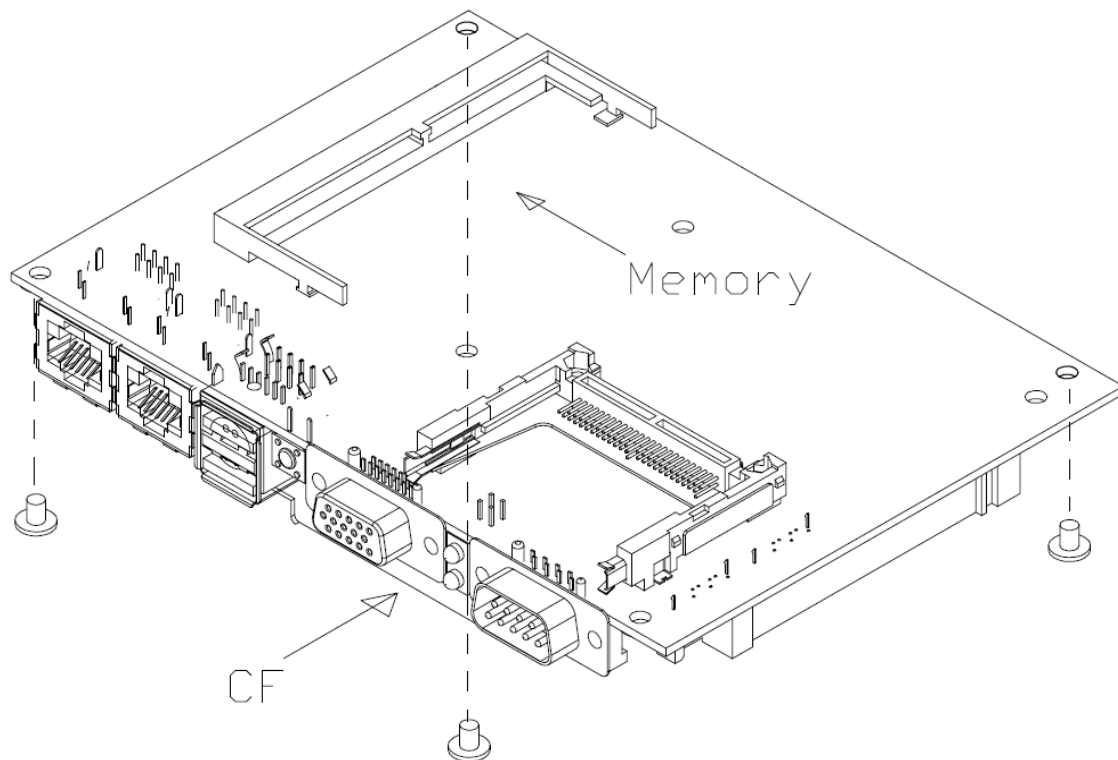


Step 1. Unfasten 6 screws as **1** to remove the bottom chassis.



Step 2. Unlock 4 coppers as **2** from the rear I/O of VGA & COM ports.

FPC-08W Series



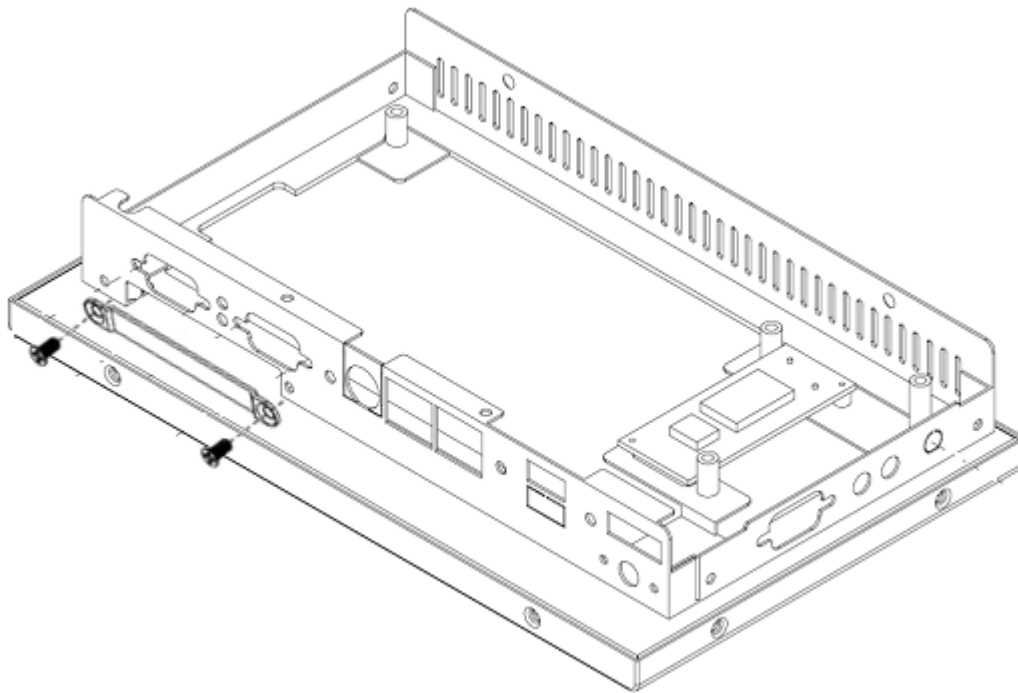
Step 3. Release 4 screws as **3** to take off the board, then install the RAM module into the memory slot.

Step 4. Assemble the board and bottom chassis back as step 3 to step 1.

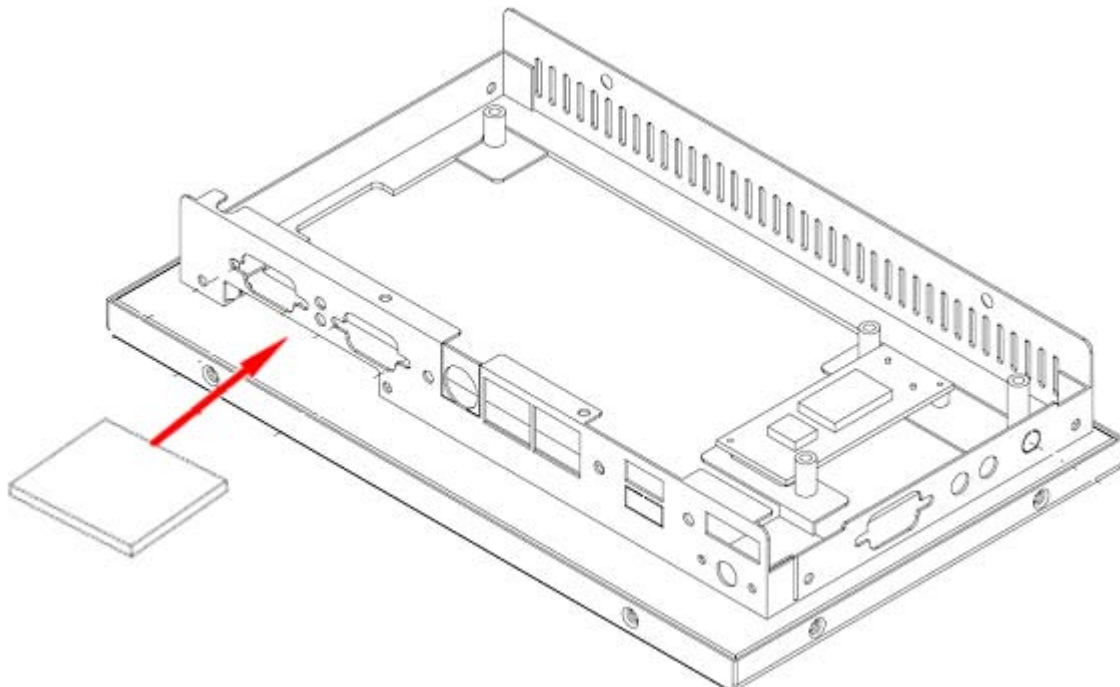


Note: Memory installation is not for FPC-08WA1 due to 512MB memory onboard..

2.3 Installing CF Card



Step 1. Unlock 2 screws from the rear side of the panel PC as above.



Step 2. Put the CF card into the socket and fasten 2 screws back.

