

EPS-QM67

Fanless Intel® Core™ i7/ i5

Rugged Embedded System with Intel® QM67 Chipset

Quick Reference Guide

1ST Ed –2 April 2012

Copyright Notice

Copyright © 2012 Avalue Technology Inc., ALL RIGHTS RESERVED.

CONTENT

1. Getting Started	3
1.1 Safety Precautions	3
1.2 Packing List	3
1.3 System Specifications	4
1.4 System Overview.....	5
1.4.1 Front & Top View	5
1.4.2 Rear View.....	6
2. Hardware Configuration	7
2.1 EPS-QM67 connector list	8
2.2 EPS-QM67 connector mapping	9
2.2.1 External Serial Port 1 connector (COM1)	9
2.2.2 External Serial Port 2 connector (COM2)	9
2.3 Installing Mounting Brackets (EPS-QM67)	10
2.4 Installing Hard Disk & Memory (EPS-QM67).....	12

1. Getting Started

1.1 Safety Precautions

Warning!



Always completely disconnect the power cord from your chassis whenever you work with the hardware. Do not make connections while the power is on. Sensitive electronic components can be damaged by sudden power surges. Only experienced electronics personnel should open the PC chassis.

Caution!



Always ground yourself to remove any static charge before touching the CPU card. Modern electronic devices are very sensitive to static electric charges. As a safety precaution, use a grounding wrist strap at all times. Place all electronic components in a static-dissipative surface or static-shielded bag when they are not in the chassis.

1.2 Packing List

- 1x EPS-QM67 Fanless Intel® Sandy Bridge Processor Rugged Embedded System with Intel® QM67 Chipset
- 1 x Quick Reference Guide
- 1 x DVD-ROM contains the followings:
 - User's Manual (this manual in PDF file)
 - Ethernet driver and utilities
 - VGA drivers and utilities
 - Audio drivers and utilities
- Other major components include the followings:
 - 4 screws for 2.5" SSD/HDD fixing
 - AC/DC adapter



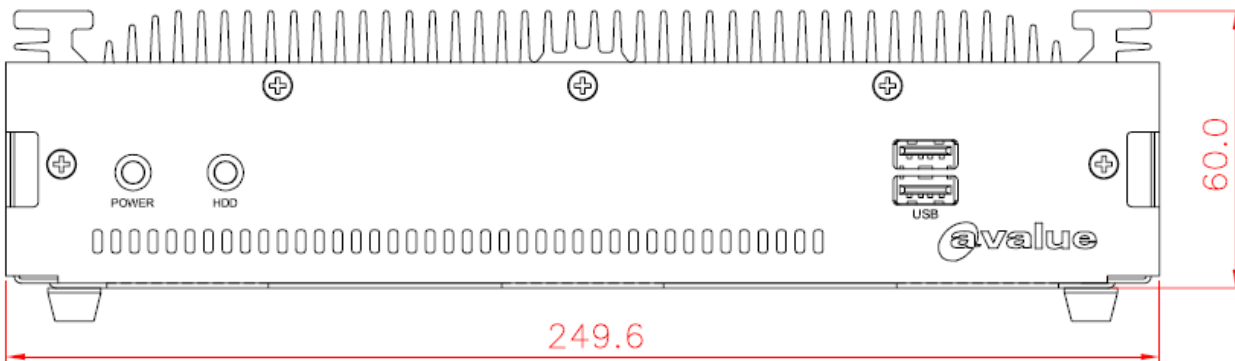
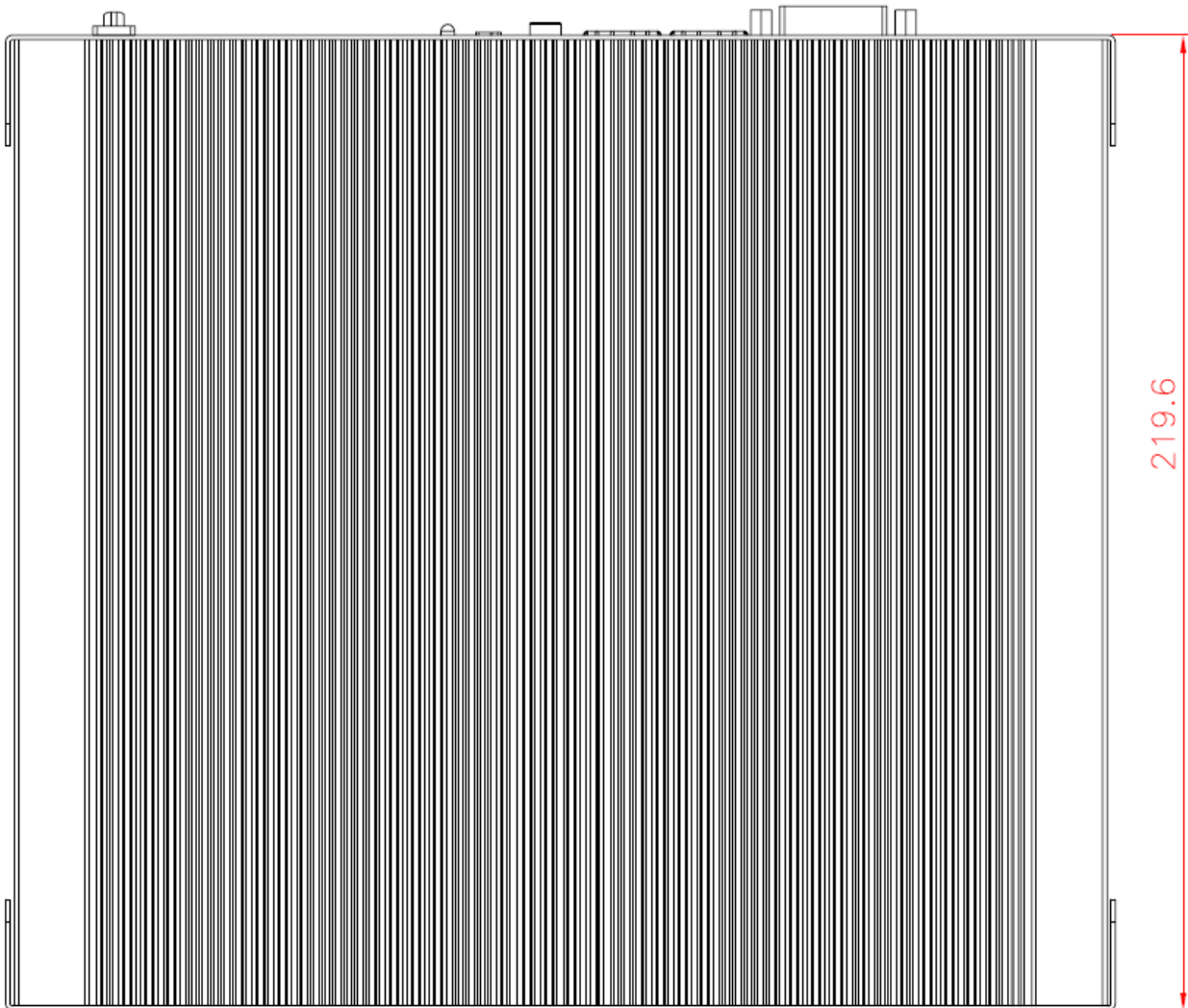
If any of the above items is damaged or missing, contact your retailer.

1.3 System Specifications

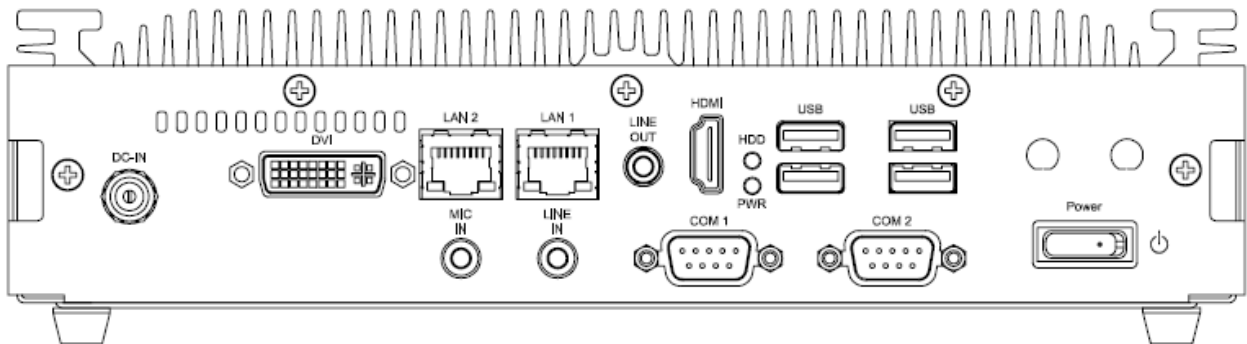
System	
CPU	Support Intel® Core™ i7-2710QE 2.1GHz with 6MB Cache CPU/ Intel® Core™ i5-2510E 2.5GHz with 3MB Cache CPU
BIOS	AMI 8M-bit SPI BIOS
System Chipset	Intel® QM67 Chipset (3.9W)
System Memory	One 204-pin DDR3 SODIMM up to 4GB DDR3 1067/1333 SDRAM
I/O Chip	Nuvoton NTC6776F
Display	Intel® QM67 with Integrated Graphics Engine
Audio	Realtek ALC892 supports 5.1-CH Audio
Ethernet	Dual Intel® Gigabit Ethernet
System Indicators	2 LED Indicators Show Power and HDD status
SSD	1 x mSATA, 1 x SATA
Watchdog Timer	Reset: 1 sec.~65535 sec./min. and 1 sec. or 1 min./step
H/W Status Monitor	Monitoring system temperature and voltage. Auto throttling control when CPU overheats
External I/O	
COM Port	1 x RS232 1x RS232/422/485
LAN Port	2 x RJ45
Antenna	2 Knockouts for Antenna Mounting (Options to Add WiFi & 3G)
Display Port	1 x DVI-I; 1 x HDMI
Audio Port	Min In, Line In and Line Out
USB Port	6 x USB 2.0 (Front x 2; Rear X 4)
Power Supply Unit	
Power Input	100~240Vac / 50~60Hz
Power Output	12Vdc/ 7A (Lockable DC Plug)
Mechanical & Environmental	
Power Requirement	+12V~19V (Lockable DC Jack)
ACPI	Single power ATX Support S0, S3, S4, S5 ACPI 1.0b and 2.0 Compliant
Power Type	AT/ATX
Operating Temp.	-10 ~ 60°C (w/ SSD), Ambient w/ Air Flow; i5-2510E -10 ~ 50°C (w/ SSD), Ambient w/ Air Flow; i7-2710QE.
Storage Temp.	-40 ~ 75°C (-4~167°F)
Operating Humidity	0%~90% relative humidity, non-condensing
Vibration Protection	With SSD: 5Grms, IEC 60068-2-64, Random, 10 ~ 500Hz, 1hr/axis
Shock Protection	With SSD: 50G, IEC 60068-2-27, Half Sine,11ms
Size (L x W x H)	250mm x 220mm x 60mm
Weight	7.7lbs (3.5Kgs)
Mounting	VESA Compliance

1.4 System Overview

1.4.1 Front & Top View



1.4.2 Rear View



Connectors		
Label	Function	Note
COM1~2	Serial port connector1~2	
DC-IN	DC power-in connector (lockable DC Jack)	
HDD	HDD Indicator	
PWR	Power Indicator	
LAN1	RJ-45 Ethernet 1	
LAN2	RJ-45 Ethernet 2	
LINE IN	Line-in audio jack	
LINE OUT	Line-out audio jack	
MIC IN	Microphone-in audio jack	
Power	System power switch	
HDMI	HDMI connector	
DVI	DVI connector	
USB1~6	USB connector 1~6	

2. Hardware Configuration

Jumper and Connector Setting, Driver and BIOS Installing

For advanced information, please refer to:

- 1- EPI-QM67 Quick Installation Guide or User's Manual



Note: If you need more information, please visit our website:

<http://www.avalue.com.tw>

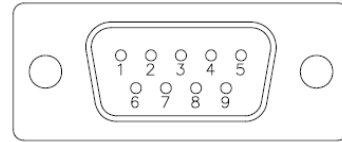
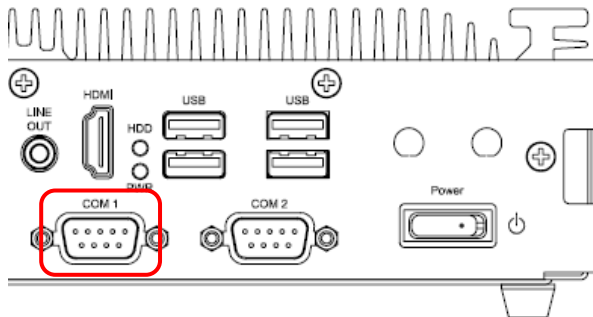
2.1 EPS-QM67 connector list

Connectors

Label	Function	Note
COM1~2	Serial port connector1~2	
DC-IN	DC power-in connector (lockable DC Jack)	
HDD	HDD Indicator	
PWR	Power Indicator	
LAN1	RJ-45 Ethernet 1	
LAN2	RJ-45 Ethernet 2	
LINE IN	Line-in audio jack	
LINE OUT	Line-out audio jack	
MIC IN	Microphone-in audio jack	
Power	System power switch	
HDMI	HDMI connector	
DVI	DVI connector	
USB1~6	USB connector 1~6	

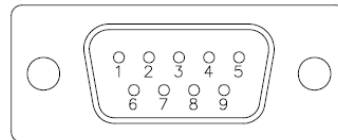
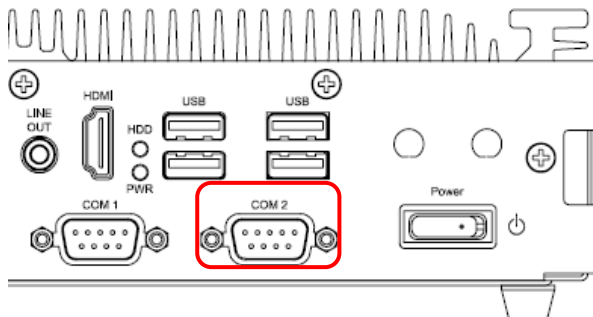
2.2 EPS-QM67 connector mapping

2.2.1 External Serial Port 1 connector (COM1)



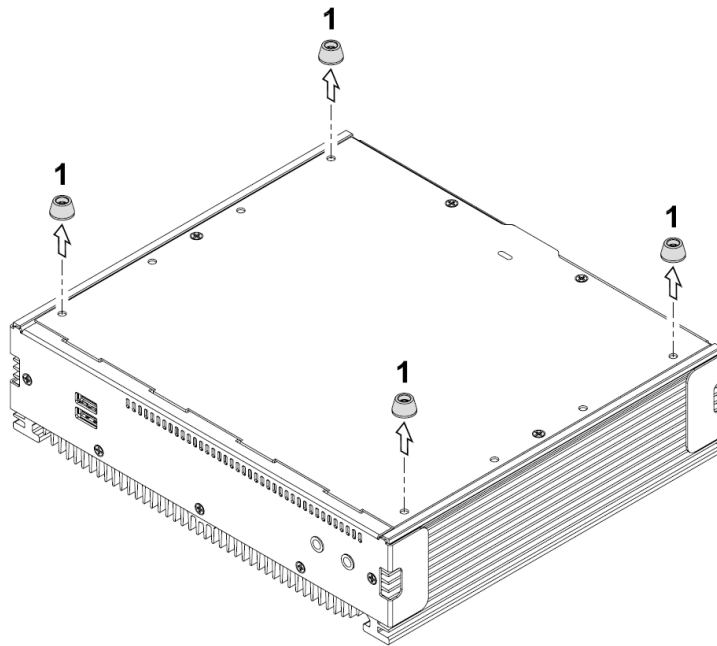
Signal	PIN	PIN	Signal
NC	10	9	RI1
CTS1	8	7	RST1
DSR1	6	5	GND
DTR1	4	3	TXD1
RXD1	2	1	DCD1

2.2.2 External Serial Port 2 connector (COM2)

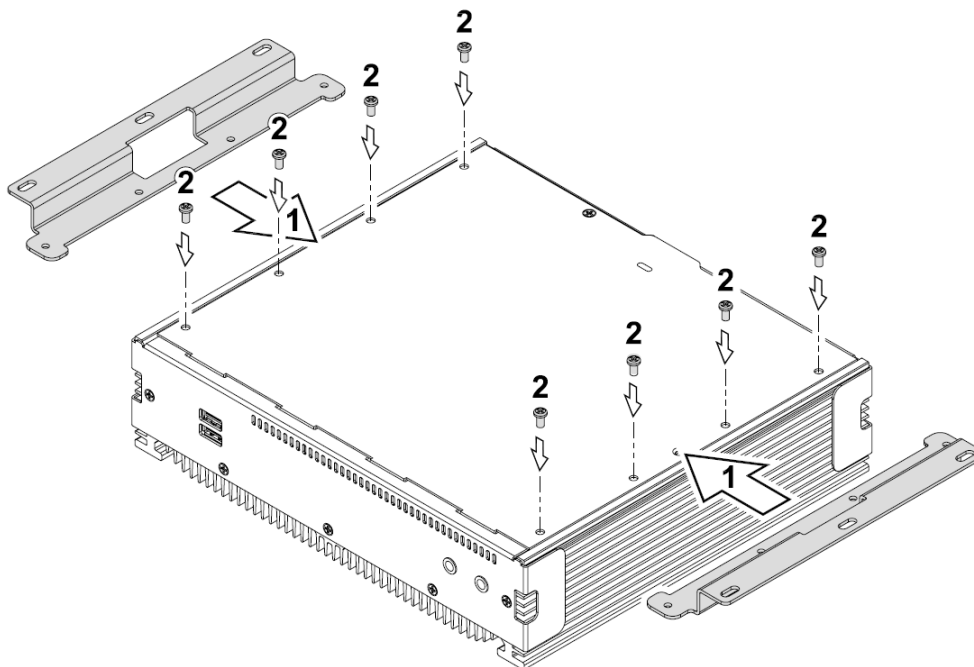


Signal	PIN	PIN	Signal
NC	10	9	RI2
CTS2	8	7	RST2
DSR2	6	5	GND
DTR2	4	3	TXD2
RXD2	2	1	DCD2

2.3 Installing Mounting Brackets (EPS-QM67)

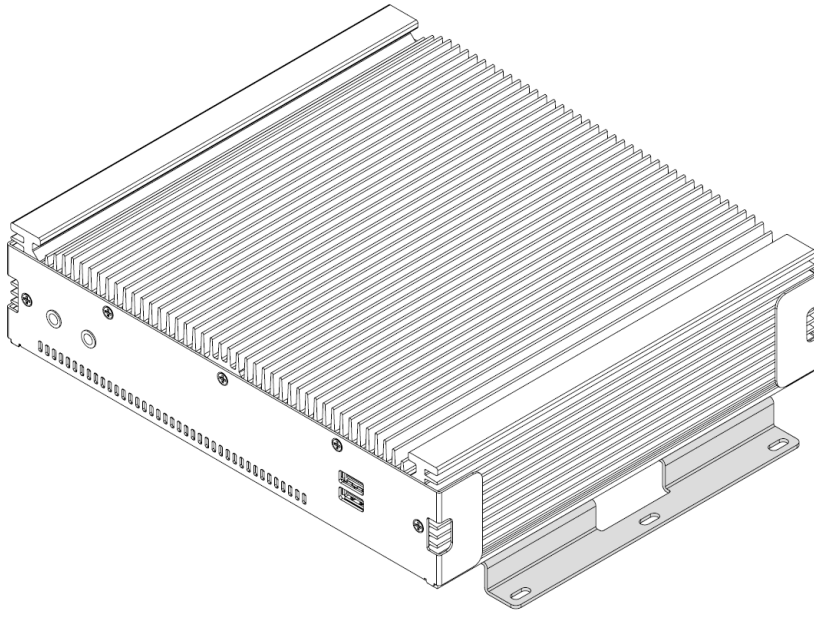


Step 1. Remove 4 stands from the back of your system to install brackets.



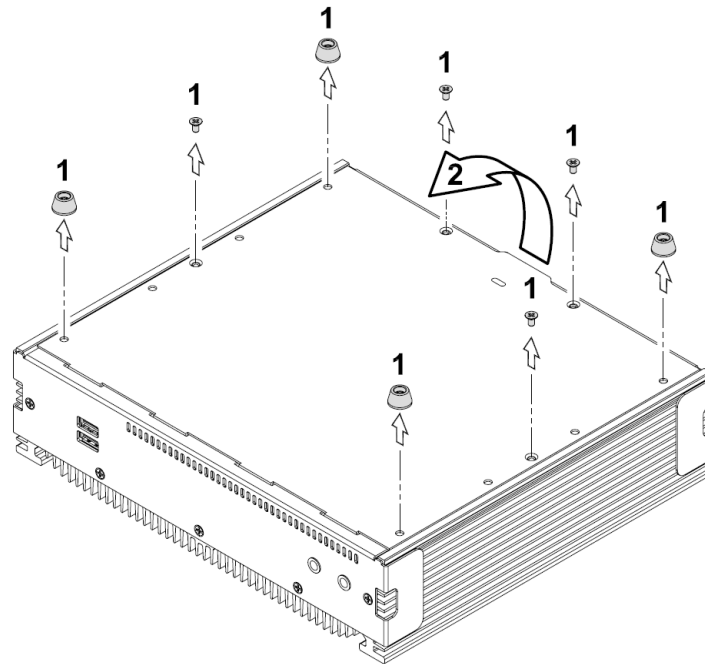
Step 2. Locate brackets on both sides, matching the holes on the system

Step 3. Insert and fasten 4 screws on each side of the system to secure Mounting brackets



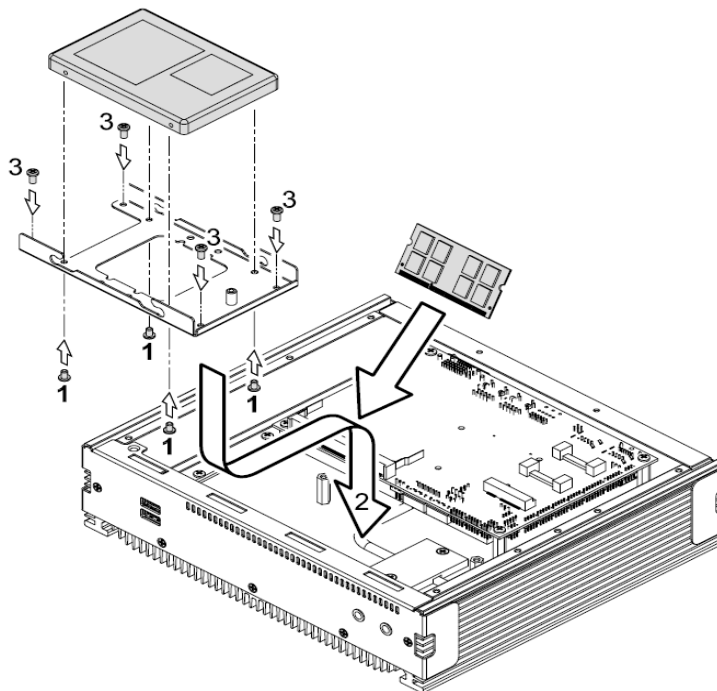
Step 4. Installation completed

2.4 Installing Hard Disk & Memory (EPS-QM67)



Step 1. Remove 8 screws from the bottom of your system.

Step 2. Remove the chassis cover.



Step 1. Slide HDD into its bracket until properly seated.

Step 2. Secure HDD by means of 4 screws.

Step 3. Connect necessary cables to the HDD

Step 4. Slide the DDR3 SODIMM into the memory socket and press it down to seat it properly.

