

# EPC Series

VIA Eden V4/ Intel® Core™ Due/ Intel® Atom™ Tiny Box PC

## Quick Reference Guide

6<sup>th</sup> Ed – 21 September 2009

### Copyright Notice

Copyright © 2007-2009 Avalue Technology Inc., ALL RIGHTS RESERVED.

## FCC Statement



THIS DEVICE COMPLIES WITH PART 15 FCC RULES. OPERATION IS SUBJECT TO THE FOLLOWING TWO CONDITIONS:

(1) THIS DEVICE MAY NOT CAUSE HARMFUL INTERFERENCE.

(2) THIS DEVICE MUST ACCEPT ANY INTERFERENCE RECEIVED INCLUDING INTERFERENCE THAT MAY CAUSE UNDESIRE OPERATION.

THIS EQUIPMENT HAS BEEN TESTED AND FOUND TO COMPLY WITH THE LIMITS FOR A CLASS "A" DIGITAL DEVICE, PURSUANT TO PART 15 OF THE FCC RULES.

THESE LIMITS ARE DESIGNED TO PROVIDE REASONABLE PROTECTION AGAINST HARMFUL INTERFERENCE WHEN THE EQUIPMENT IS OPERATED IN A COMMERCIAL ENVIRONMENT. THIS EQUIPMENT GENERATES, USES, AND CAN RADIATE RADIO FREQUENCY ENERGY AND, IF NOT INSTALLED AND USED IN ACCORDANCE WITH THE INSTRUCTION MANUAL, MAY CAUSE HARMFUL INTERFERENCE TO RADIO COMMUNICATIONS.

OPERATION OF THIS EQUIPMENT IN A RESIDENTIAL AREA IS LIKELY TO CAUSE HARMFUL INTERFERENCE IN WHICH CASE THE USER WILL BE REQUIRED TO CORRECT THE INTERFERENCE AT HIS OWN EXPENSE.

## Avalue Customer Services

We want you to get the maximum performance from your products. So if you run into technical difficulties, we are here to help. For the most frequently asked questions, you can easily find answers in your product documentation; please consult the user's manual first.

To receive the latest version of the user's manual; please visit our Web site at:

<http://www.avalue.com.tw>

# 1. Getting Started

## 1.1 Safety Precautions

### Warning!



Always completely disconnect the power cord from your chassis whenever you work with the hardware. Do not make connections while the power is on. Sensitive electronic components can be damaged by sudden power surges. Only experienced electronics personnel should open the PC chassis.

### Caution!



Always ground yourself to remove any static charge before touching the CPU card. Modern electronic devices are very sensitive to static electric charges. As a safety precaution, use a grounding wrist strap at all times. Place all electronic components in a static-dissipative surface or static-shielded bag when they are not in the chassis.

## 1.2 Packing List

- 1 x EPC-3711 VIA Eden Tiny Box PC (with ECM-3711-E10 inside) or 1 x EPC-CX700M VIA Eden Tiny Box PC (with ECM-CX700 inside) or 1 x EPC-945 Intel® Tiny Box PC (with ECM-945GME inside ) or 1x EPC-AT270 Inte® Tiny Box PC (with ECM-945GSE inside)
- 1 x Quick Reference Guide
- 1 x DVD-ROM contains the followings:
  - User's Manual (this manual in PDF file)
  - Ethernet driver and utilities
  - VGA drivers and utilities
  - Audio drivers and utilities
- Other major components include the followings:
  - 1 x PS/2 keyboard and mouse Y cable (6-pin, Mini-DIN)
  - 1 x SATA cable
  - 1 x AC to DC adapter
  - 1 x Protective Cover



If any of the above items is damaged or missing, contact your retailer.

## 1.3 System Specifications

Model	<b>EPC-3711</b>	<b>EPC-CX700</b>
<b>CPU</b>	Onboard VIA Eden V4 1 GHz	Onboard VIA Eden V4 500 MHz
<b>BIOS</b>	Award 512 KB Flash BIOS	
<b>System Chipset</b>	VIA CN700/VT8251	VIA CX700M
<b>I/O Chipset</b>	VIA VT1211	
<b>System Memory</b>	One 200-pin SODIMM supports up to 1 GB DDR2 400/533 SDRAM	
<b>SSD</b>	One CompactFlash Type I/II socket with ejector	
<b>Watchdog Timer</b>	Reset: 1 sec.~255 min. and 1 sec. or 1 min./step	
<b>H/W Status Monitor</b>	Monitoring system and CPU temperature, voltage, Auto throttling control when CPU overheats	
<b>Display</b>	VIA ProSavage CN700 integrated 2D/3D graphics engine	VIA CX700M with integrated 2D and 3D Graphics engine
<b>Audio</b>	VIA VT1616 supports 5.1 CH Audio	Realtek ALC883 supports 5.1 CH Audio and 7.1 CH with SPDIF
<b>Ethernet</b>	Dual Realtek RTL8111B 1000Base-T Fast Ethernet controllers	Dual Realtek RTL8101L
<b>System Indicators</b>	2 LED indicators show the power and HDD	
<b>COM Port</b>	1 x RS-232, 1 x RS232/422/485, Setting by BIOS	
<b>Ethernet Port</b>	2 x RJ-45	
<b>VGA / LCD Port</b>	1 x DB-15	
<b>TV-out</b>	-----	1 x RCA jack
<b>Audio Port</b>	Mic-in, Line-in, Line-out	
<b>USB Port</b>	3 x USB 2.0	3 x USB 2.0
<b>Mouse &amp; KB</b>	1 x PS/2 mini DIN	
<b>Power Input</b>	100 ~ 240 Vac / 50 ~ 60 Hz	
<b>Power Output</b>	+5 Vdc / 8 A (40W)	
<b>Operating Temperature</b>	0~40°C (32~104°F)	
<b>Storage Temperature</b>	-20 to +75°C (-4~167°F)	
<b>Relative Humidity</b>	5 to 90% @ 40°C (104°F), relative humidity, non-condensing	
<b>Dimension (W x D x H)</b>	7.0" x 4.4" x 2.0" (178 x 112 x 50 mm)	
<b>Weight</b>	2.65 lbs (1.2 Kgs)	

## Quick Reference Guide

Model	<b>EPC-945</b>	<b>EPC-AT270</b>
<b>CPU</b>	Supports 65nm Intel® $\mu$ FC-PGA 478/ $\mu$ FC-BGA 479 Core™ Duo/Core™ Duo/Celeron® M CPU	Onboard Intel® Atom™ N270 1.6GHz CPU
<b>BIOS</b>	Award 4 MBit Flash BIOS	Award 8 MBit Flash BIOS
<b>System Chipset</b>	Intel® 945GME / ICH7-M	Intel® 945GSE/ICH7-M
<b>I/O Chipset</b>	Winbond W83627HF-AW	ITE 8712F
<b>System Memory</b>	One 200-pin SODIMM supports up to 2 GB DDR2 400/533/667 SDRAM	One 200-pin SODIMM supports up to 2 GB DDR2 400/533 SDRAM
<b>SSD</b>	One CompactFlash Type I/II socket	
<b>Watchdog Timer</b>	Reset: 1 sec.~255 min. and 1 sec. or 1 min./step	
<b>Display</b>	Intel® 945GME Integrated GMA 950 graphic	Intel® 945GSE Integrated
<b>Audio</b>	Realtek ALC883 supports 7.1-CH Audio	Realtek ALC655 supports 5.1-CH Audio
<b>Ethernet</b>	Dual Realtek RTL8111C PCI-E Gigabit Ethernet, supports wake on LAN (RTL8111B for Rev. A1)	Dual Marvell 88E8053 Gigabit Ethernet, supports Wake on LAN
<b>System Indicators</b>	2 LED indicators show the power and HDD	
<b>Drive Bay</b>	Mounting kit for one 2.5" HDD(hidden)	
<b>Expansion Interface</b>	-----	1 x Mini PCIe
<b>Serial Port</b>	1 x RS-232	1x RS-232, 1xRS232/422/485
<b>Ethernet Port</b>	2 x RJ-45	
<b>WiFi</b>	Optional (USB Module)	
<b>DVI</b>	-----	1 x DVI (Optional)
<b>VGA / LCD Port</b>	1 x DB-15	
<b>TV-out</b>	1 x RCA Jack (Optional)	1 x RCA Jack
<b>Audio Port</b>	Mic-in, Line-in, Line-out	
<b>USB Port</b>	3 x USB 2.0	5 x USB 2.0
<b>Mouse &amp; KB</b>	1 x PS/2 mini DIN	1 x PS/2 mini DIN (Optional)
<b>Power Input</b>	100 ~ 240 Vac / 50 ~ 60 Hz	
<b>Power Output</b>	+12 V	
<b>Operating Temperature</b>	0~40°C (32~104°F)	
<b>Storage Temperature</b>	-20 to +75°C (-4~167°F)	
<b>Relative Humidity</b>	5 to 90% @ 40°C (104°F), relative humidity, non-condensing	
<b>Dimension (W x D x H)</b>	7.0" x 5.6" x 2.0" (178 x 142 x 50 mm)	7.0" x 4.4" x 2.0" (178 x 112 x 50 mm)
<b>Weight</b>	2.7 lbs (1.2 Kgs)	
<b>Mounting</b>	VESA Compliance	

## 1.4 System Overview

### 1.4.1 Front View

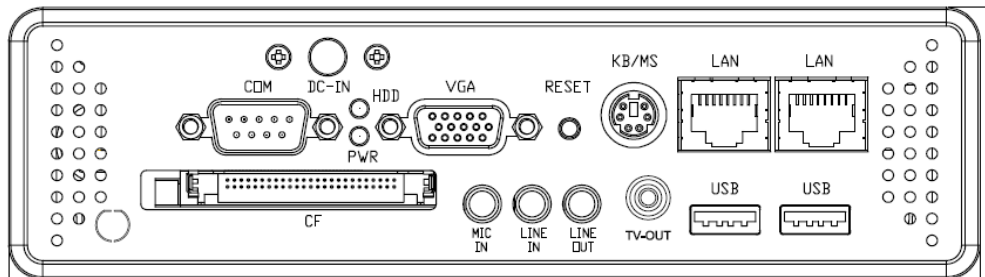


### Connectors

Label	Function	Note
POWER	Power on button	
LED	System power indicator	
USB	USB 2.0 connector	

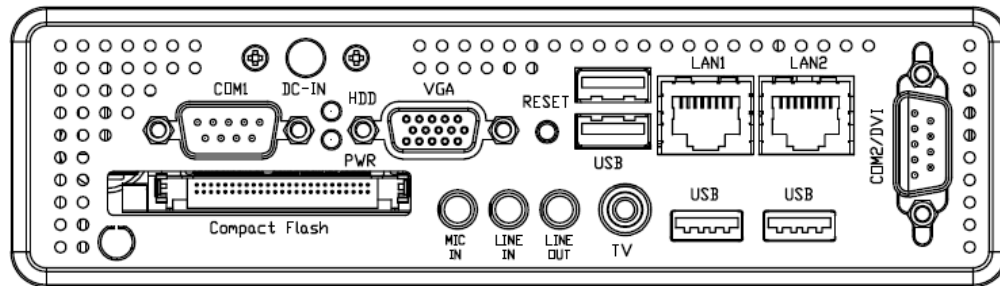
### 1.4.2 Rear View

#### EPC-3711/EPC-CX700

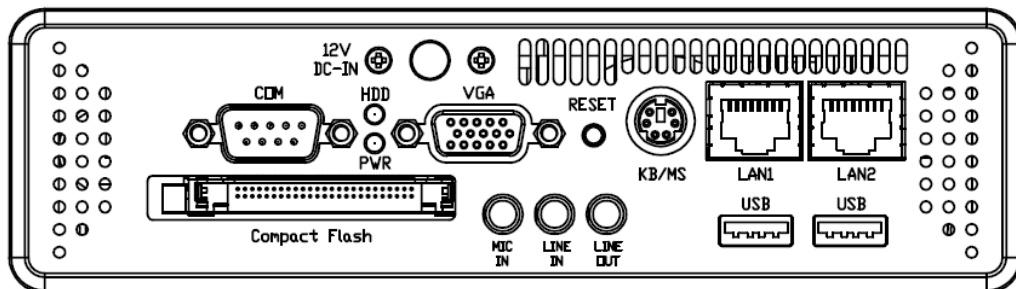


**Note:** TV-OUT is for EPC-CX700 only.

## EPC-AT270



## EPC-945



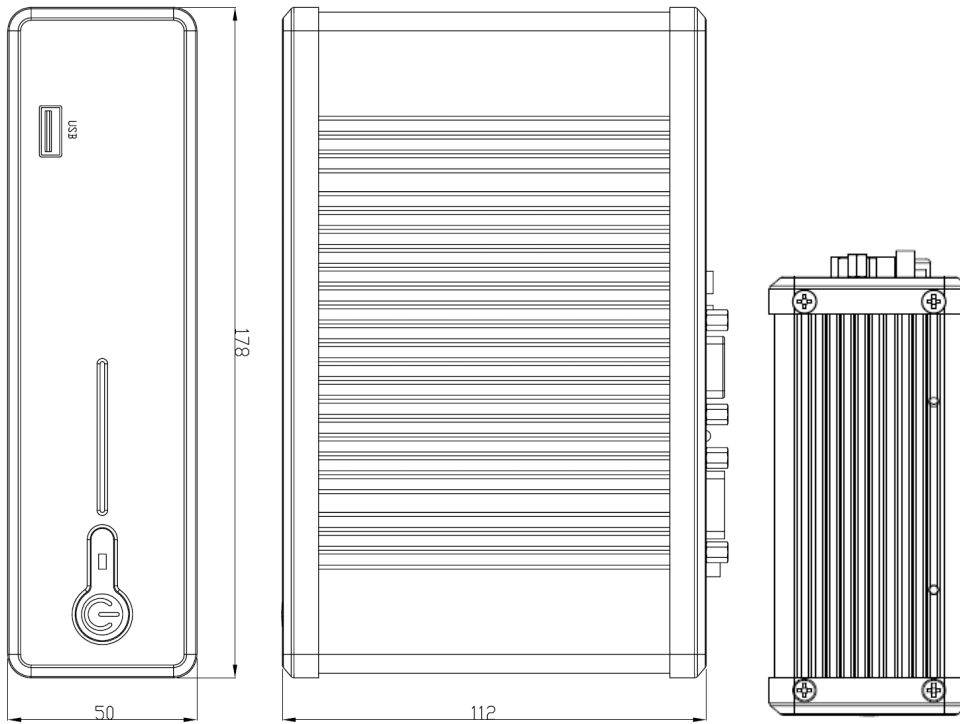
## Connectors

Label	Function	Note
COM	Serial port	DB-9 male connector
CF	CF Type I/II Socket with Ejector	
DC-IN	DC Power-in connector	
DVI	DVI connector ( <a href="#">EPC-AT270 only</a> )	
HDD	HDD indicator	
K/B	Keyboard and PS/2 mouse connector	6-pin mini DIN
LAN1&2	2 x 10/100Base-Tx Ethernet connector	RJ-45
LINE IN	Line-in audio jack	
LINE OUT	Line-out audio jack	
MIC IN	Mic-in audio jack	
PWR	System power indicator	
RESET	Reset button	
TV-OUT	TV-Out connector ( <a href="#">for EPC-CX700&amp;EPC-AT270</a> )	RCA Jack
USB	2 x USB 2.0 connector	
VGA	CRT connector	DB-15 female connector

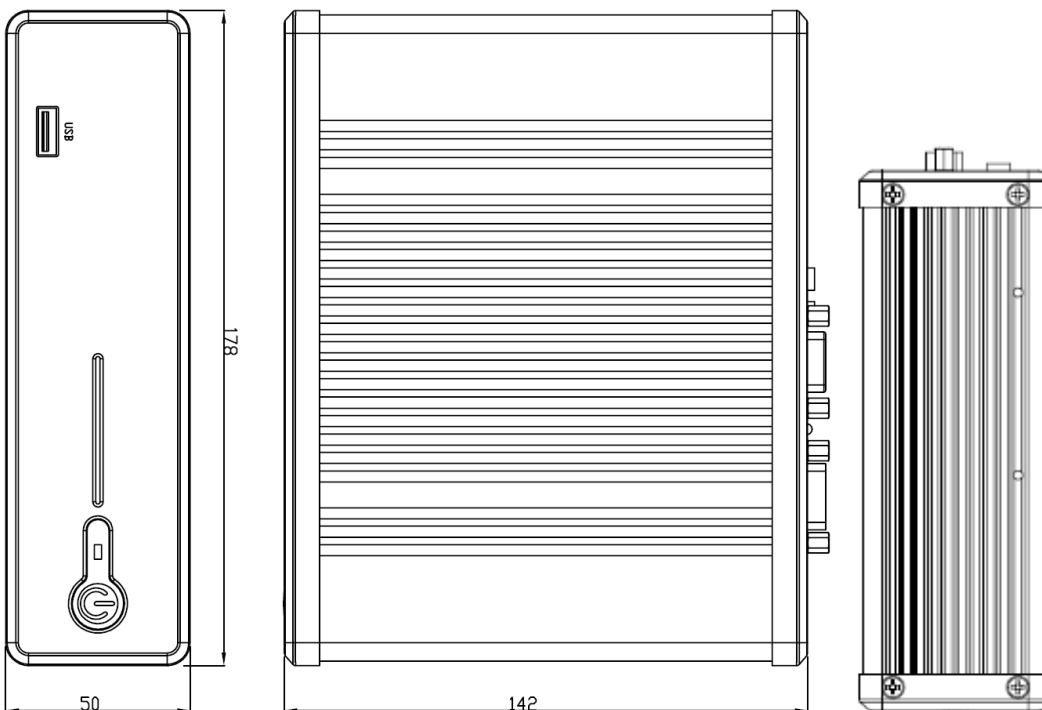
## 1.5 System Dimensions

### 1.5.1 Top /Front& Rear

#### EPC-3711/EPC-CX700/EPC-AT270



#### EPC-945

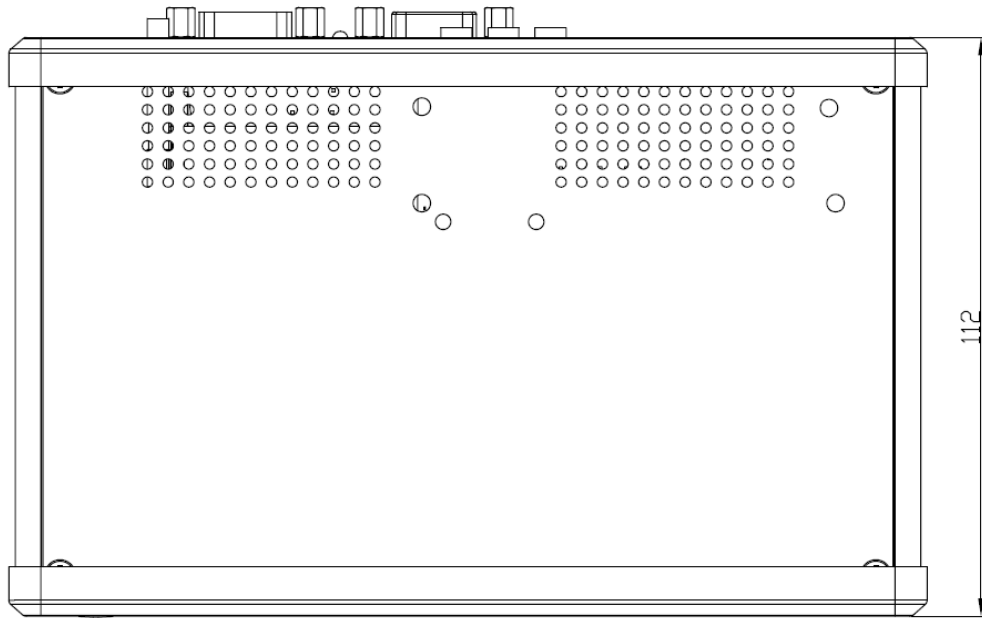


(Unit: mm)



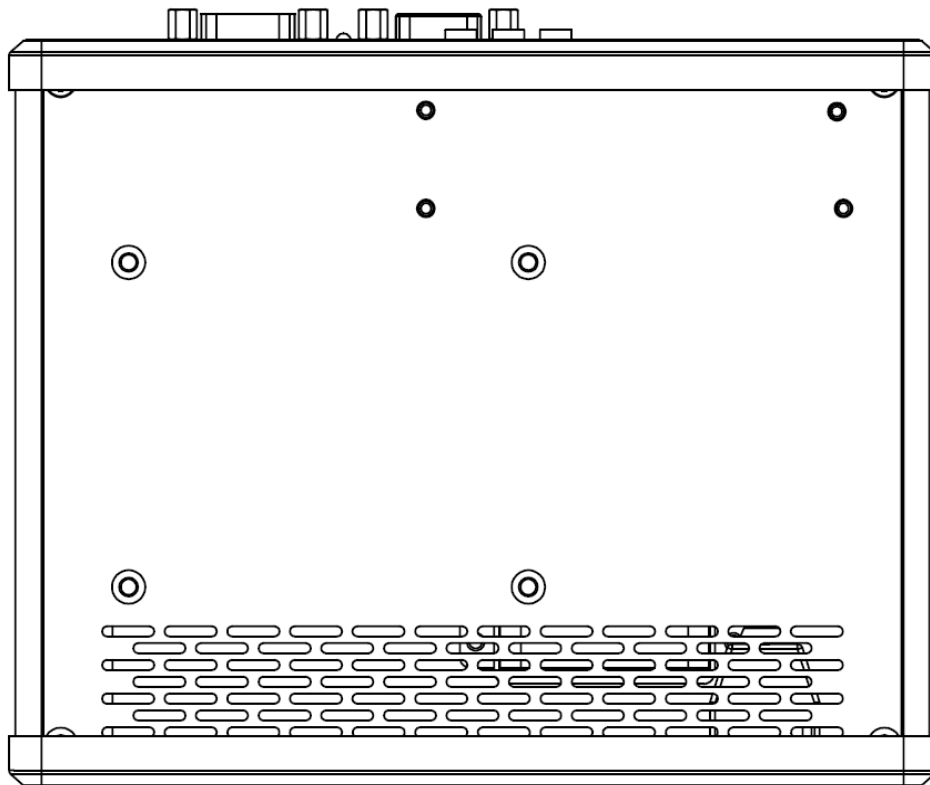
1.5.2 Bottom

EPC-3711 / EPC-CX700/EPC-AT270



EPC-945

(Unit: mm)



# 2. Hardware Configuration

## 2.1 Jumper and Connector Setting, Driver and BIOS Installing

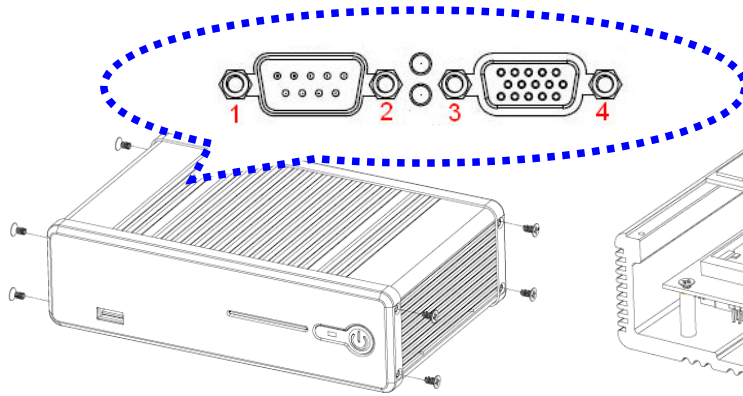
Please refer to ECM-3711,ECM-CX700,ECM-945GME,or ECM-945GSE Quick Installation Guide or User's Manual for advanced information.



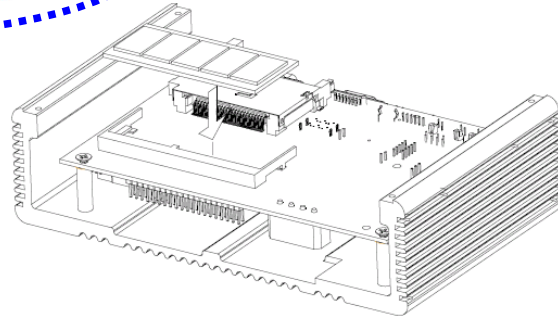
**Note:** If you need more information, please visit our website:

<http://www.avalue.com.tw>

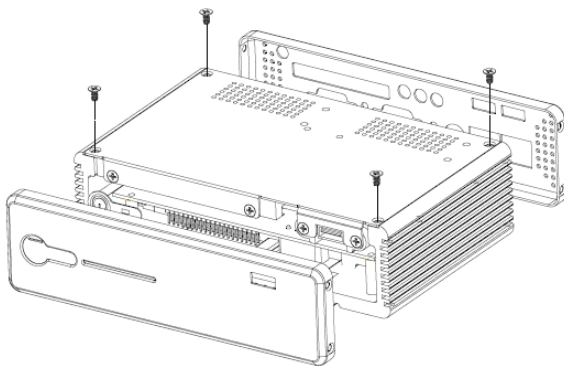
## 2.2 Installing Hard Disk & Memory



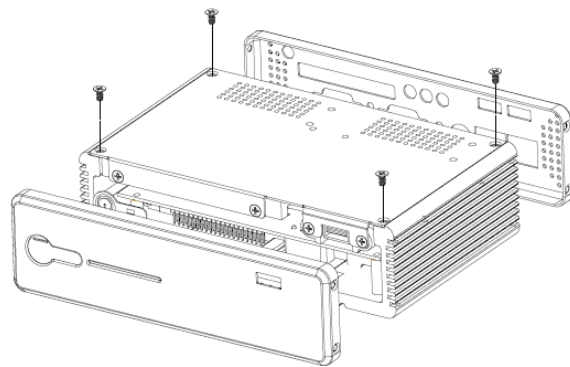
**Step 1.** Unfasten 8 screws from two sides, 4 screws of COM and VGA From the rear side as above displayed then remove the chassis cover.



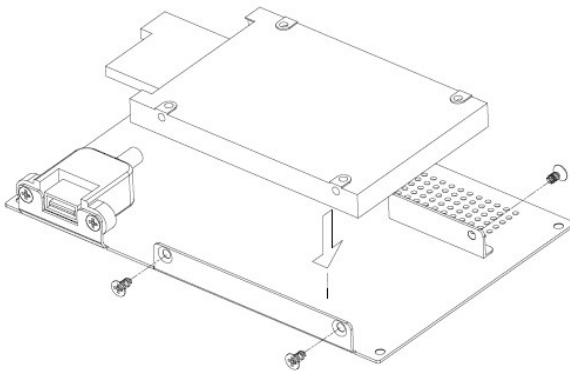
**Step 4.** Insert the DDR SODIMM into the memory socket.



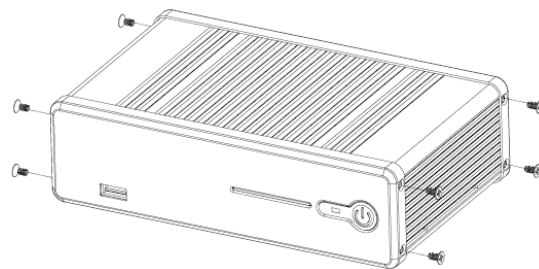
**Step 2.** Turn over the system and take off the front/rear chassis, then unlock 4 screws of the bottom.



**Step 5.** Place back the bottom cover with 4 screws locked and assemble the front/rear chassis into one piece.



**Step 3.** Reverse the bottom cover and fasten 3 screws with HDD as above.



**Step 6.** Fasten 4 screws back as the original.

