

## SPECIFICATION FOR LCD MODULE

<b>Customer Name</b>	
<b>Customer Model</b>	
<b>Project Name</b>	<u>BB0802-02C</u>
<b>Date</b>	<u>2023.7.19</u>
<b>Version</b>	<u>1.0</u>

Preliminary Specification

Final Specification

**Customer's Acceptance** : This module uses RoHS material.

<b>Comment</b>	<b>Approved by</b>
Rio	Shawn

<b>Developer</b>	<b>Reviewer</b>	<b>Approver</b>
<b>R&amp;D</b>	<b>R&amp;D</b>	<b>R&amp;D</b>
Shawn	William	Rio

# Bocen Display Technology Co., Ltd.

Tel: +86-0755-23145782 E-mail: info@bocentech.com Website: www.bocentech.com  
Address: 603 Esun Tech Building, No.22 Jia'an South Road, Bao'an District, 518101 Shenzhen, China.

---

## RECORDS OF REVISION

Date	Rev.	Description	Page	Design by
2023.7.19	1.0	First Issue	-	-

# **Bocen Display Technology Co., Ltd.**

Tel: +86-0755-23145782 E-mail: info@bocentech.com Website: www.bocentech.com  
Address: 603 Esun Tech Building, No.22 Jia'an South Road, Bao'an District, 518101 Shenzhen, China.

---

## **Contents**

### **1. SPECIFICATIONS**

- 1.1 Features
- 1.2 Mechanical Specifications
- 1.3 Absolute Maximum Ratings
- 1.4 DC Electrical Characteristics
- 1.5 Backlight & LED Characteristics

### **2. MODULE STRUCTURE**

- 2.1 Counter Drawing
- 2.2 Interface Pin Description
- 2.3 Timing Characteristics
- 2.4 Instruction Table
- 2.5 Character Generator ROM
- 2.6 Inspection Specification

# Bocen Display Technology Co., Ltd.

Tel: +86-0755-23145782 E-mail: info@bocentech.com Website: www.bocentech.com  
Address: 603 Esun Tech Building, No.22 Jia'an South Road, Bao'an District, 518101 Shenzhen, China.

## 1. SPECIFICATIONS

### 1.1 Features

Item	Standard Value
Display Type	8characters × 2 lines
LCD Type	STN, NEGATIVE (BLUE), TRANSMISSIVE
Driver Condition	LCD Module : 1/16Duty , 1/5Bias
Viewing Direction	6 O'clock
Backlight Type	SIDE WHITE
Interface	8-bit MPU interface
Driver IC	AIP31066

### 1.2 Mechanical Specifications

Item	Standard Value	Unit
Outline Dimension	58(L) * 32(W) * Max 13.8(T)	mm
Viewing Area	38(L) * 16( W)	mm
Dot size	0.56(W) × 0.66(H)	mm
Dot pitch	0.6(W) × 0.7(H)	mm
Character size	2.96(W) × 5.56(H)	mm

### 1.3 Absolute Maximum Ratings

Item	Symbol	Condition	Min.	Max.	Unit
System Power Supply Voltage	VDD	-	-0.3	3.5	V
LCD Driver Supply Voltage	VLCD	-	VDD-12	VDD-0.3	V
Input Voltage	V <sub>IN</sub>	-	-0.3	VDD + 0.3	V
Operating Temperature	T <sub>OP</sub>	-	-20	70	°C
Storage Temperature	T <sub>ST</sub>	-	-30	80	°C
Storage Humidity	H <sub>D</sub>	T <sub>a</sub> < 40 °C	20	90	%RH

# Bocen Display Technology Co., Ltd.

Tel: +86-0755-23145782 E-mail: info@bocentech.com Website: www.bocentech.com  
Address: 603 Esun Tech Building, No.22 Jia'an South Road, Bao'an District, 518101 Shenzhen, China.

## 1.4 DC Electrical Characteristics

VDD = 3.3V ± 0.2V, GND = 0V, Ta = 25°C

Item	Symbol	Condition	Min.	Typ.	Max.	Unit
Logic Supply Voltage	VDD	-	3.1	3.3	3.5	V
Input High Voltage	V <sub>IH</sub>	-	0.8VDD	-	VDD	V
Input Low Voltage	V <sub>IL</sub>	-	GND	-	0.3VDD	V
Output High Voltage	V <sub>OH</sub>	-	0.7VDD	-	VDD	V
Output Low Voltage	V <sub>OL</sub>	-	GND	-	0.2VDD	V

## 1.5 Backlight Characteristics

LCD Module without LED Backlight

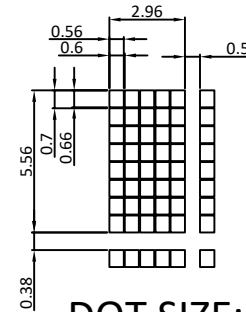
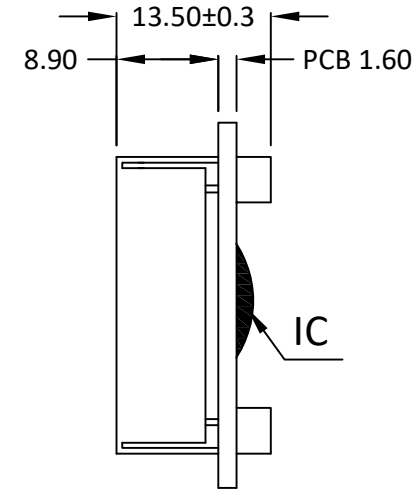
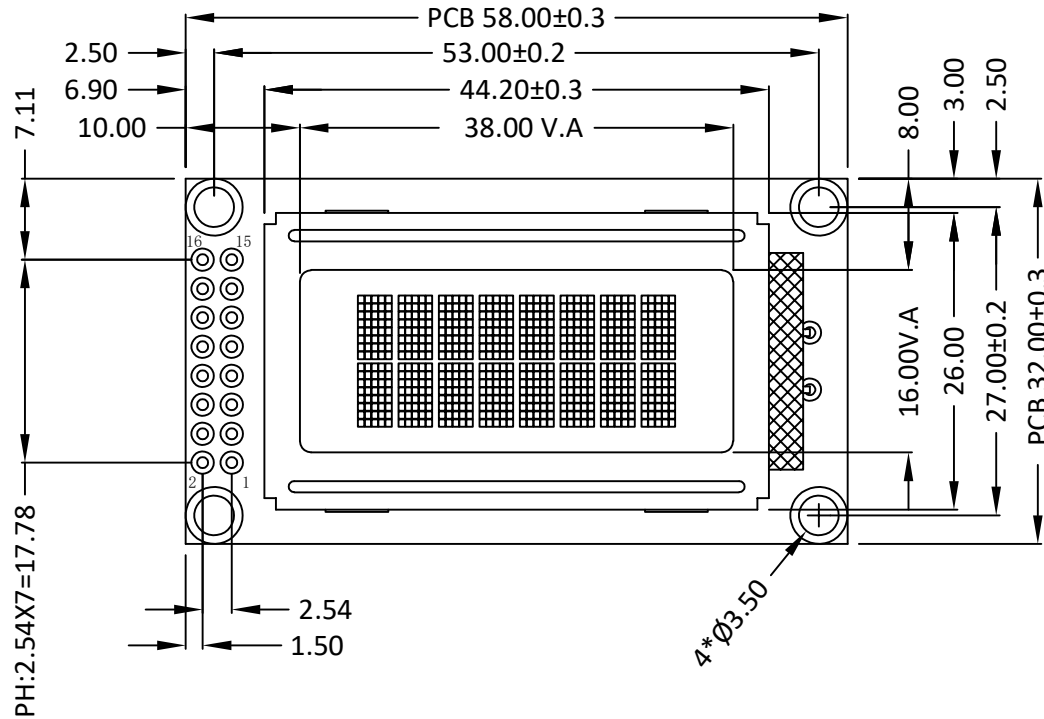
Electrical / Optical Characteristics

Ta = 25°C

Item	Symbol	Conditions	Min.	Typ.	Max.	Unit
Forward Voltage	V <sub>f</sub>	I <sub>f</sub> =20mA	3.1	3.3	3.4	V
Reverse Current	I <sub>r</sub>	I <sub>f</sub> =5v			--	uA
Average Brightness	I <sub>V</sub>	I <sub>f</sub> =20mA				cd/m <sup>2</sup>
Wavelength (Without LCD)	λ <sub>d</sub>	I <sub>f</sub> =20mA	--	--	--	nm
Luminous Intensity (without LCD)	L <sub>v</sub> Sub	I <sub>f</sub> =20mA		450	--	cd/m <sup>2</sup>
Uniformity	Δ%	I <sub>v</sub> Min / I <sub>v</sub> Max *100%	--	75		%
Colour Chromaticity Range (White)	W <sub>x</sub>	Normal		0.29		-
	W <sub>y</sub>			0.33		-

Revised Record

1.0 2023-06-27 New Issue



PIN	SYMBOL
1	VSS
2	VDD(5V)
3	V0
4	RS
5	RW
6	E
7	DB0
8	DB1
9	DB2
10	DB3
11	DB4
12	DB5
13	DB6
14	DB7
15	LED-A(5V)
16	LED-K

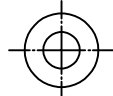
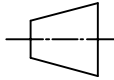
SPECIFICATIONS:

- |                           |                                      |
|---------------------------|--------------------------------------|
| 1. DISPLAY TYPE:          | STN / NEGATIVE (BLUE) / TRANSMISSIVE |
| 2. DRIVE IC:              | AIP31066 or EQV.                     |
| 3. CONNECTOR:             | ZEBRA                                |
| 4. OPERATING VOLTAGE:     | VOP = 3.3V, VDD = 3.3V               |
| 5. OPERATING TEMPERATURE: | -20 ~ 70°C                           |
| 6. STORAGE TEMPERATURE:   | -30 ~ 80°C                           |
| 7. DRIVE MODE:            | 1/16 DUTY, 1/5 BIAS                  |
| 8. VIEWING ANGLE:         | 6 O'CLOCK                            |
| 9. BACKLIGHT:             | WHITE LED, I = 20mA                  |
| 10. CUSTOMER PART NO.:    | BOCEN STANDARD PRODUCT               |

DOT SIZE:

P.S: "AIP31066W2 /ST7066-0B or equivalent (English /European font character)"

BOCEN DISPLAY TECHNOLOGY CO., LTD.

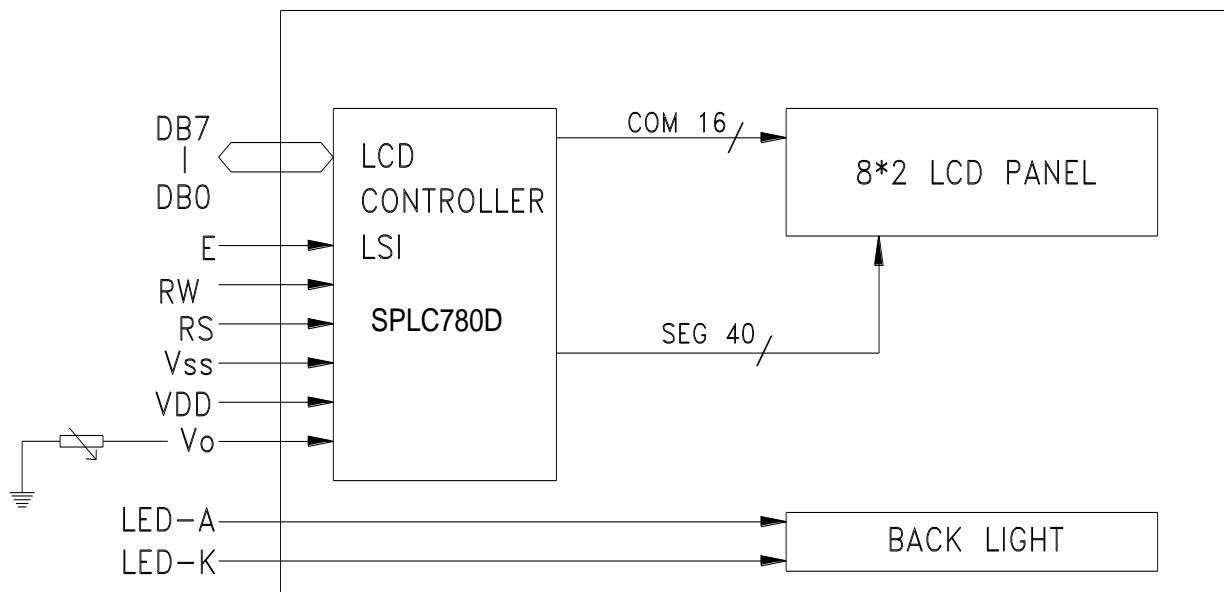
DESIGNED BY: Shawn	<b>BB0802-02C</b>	VERSION: 1.0
CHECKED BY: William	 	NO.: 1 OF 1
APPROVED BY: Rio		UNIT: mm
Website: <a href="http://www.bocentech.com">http://www.bocentech.com</a>		DATE: 2023-06-27

# Bocen Display Technology Co., Ltd.

Tel: +86-0755-23145782 E-mail: info@bocentech.com Website: www.bocentech.com  
 Address: 603 Esun Tech Building, No.22 Jia'an South Road, Bao'an District, 518101 Shenzhen, China.

## 2.2 Interface Pin Description

No.	Symbol	Function
1	VSS	Ground (0V)
2	VDD	Supply Voltage for Logic (3.3V )
3	VO	Contrast Adjustment
4	RS	Data/Instruction Select
5	R/W	Read/Write Select
6	E	Enable Signal
7-14	DB0-DB7	Data Bus
15	LED_A	LED Power Supply + (3.3V)
16	LED_K	LED Power Supply - (0V)



Character located 1 2 3 4 5 6 7 8

DDRAMaddress	00	01	02	03	04	05	06	07
DDRAMaddress	40	41	42	43	44	45	46	47

# Bocen Display Technology Co., Ltd.

Tel: +86-0755-23145782 E-mail: info@bocentech.com Website: www.bocentech.com

Address: 603 Esun Tech Building, No.22 Jia'an South Road, Bao'an District, 518101 Shenzhen, China.

## 2.3 Timing Characteristics

### DC Characteristics

Characteristics	Symbol	Limit			Unit	Test Condition
		Min.	Typ.	Max.		
Operating Current	IDD	-	0.55	0.8	mA	External clock (Note)
Input High Voltage	V <sub>IH1</sub>	2.2	-	VDD	V	Pins:(E, RS, R/W, DB7 - 0)
Input Low Voltage	V <sub>IL1</sub>	-0.3	-	0.6	V	
Input High Voltage	V <sub>IH2</sub>	VDD-1	-	VDD	V	Pin OSC1
Input Low Voltage	V <sub>IL2</sub>	-0.2	-	1.0	V	Pin OSC1
Input High Current	I <sub>IH</sub>	-2.0	-	2.0	μA	Pins: (RS, R/W, DB7 - 0)
Input Low Current	I <sub>IL</sub>	-20.0	-50.0	-100.0	μA	VDD = 5.0V
Output High Voltage (TTL)	V <sub>OH1</sub>	2.4	-	VDD	V	I <sub>OH</sub> = - 0.1mA Pins: DB7 - 0
Output Low Voltage (TTL)	V <sub>OL1</sub>	-	-	0.4	V	I <sub>OL</sub> = 0.1mA Pins: DB7 - 0
Output High Voltage (CMOS)	V <sub>OH2</sub>	0.9VDD	-	VDD	V	I <sub>OH</sub> = - 40.0μA, Pins: CL1, CL2, M, D
Output Low Voltage (CMOS)	V <sub>OL2</sub>	-	-	0.1VDD	V	I <sub>OL</sub> = 40.0μA, Pins: CL1, CL2, M, D
Driver ON Resistance (COM)	R <sub>COM</sub>	-	-	20.0	KΩ	I <sub>O</sub> = ±50.0μA, V <sub>LCD</sub> = 4.0V Pins: COM16 - 1
Driver ON Resistance (SEG)	R <sub>SEG</sub>	-	-	30.0	KΩ	I <sub>O</sub> = ±50.0μA, V <sub>LCD</sub> = 4.0V Pins: SEG40 - 1
LCD Voltage	V <sub>LCD</sub>	3.0	-	11.0	V	VDD - V5, 1/4 bias or 1/5 bias

Note: F<sub>OSC</sub> = 250.0KHz, VDD = 5.0V, pin E = "L", RS, R/W, DB7 - 0 are open, all outputs are no loads.

### AC Characteristics

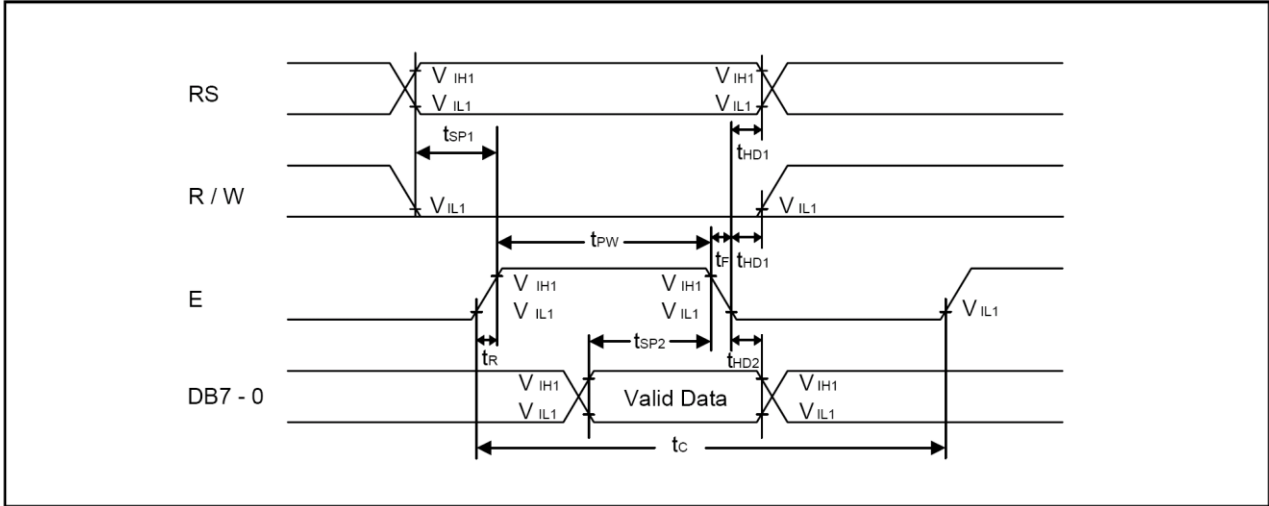
Characteristics	Symbol	Limit			Unit	Test Condition
		Min.	Typ.	Max.		
OSC Frequency	F <sub>OSC1</sub>	190.0	270.0	350.0	KHz	VDD = 5.0V Rf = 91.0KΩ±2%



# Bocen Display Technology Co., Ltd.

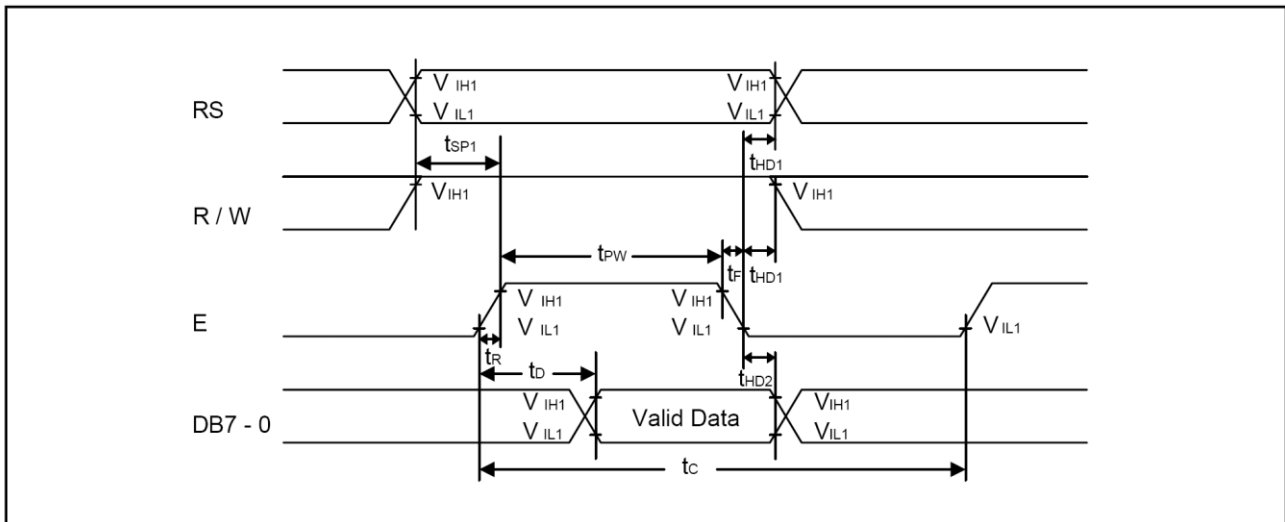
Tel: +86-0755-23145782 E-mail: info@bocentech.com Website: www.bocentech.com  
 Address: 603 Esun Tech Building, No.22 Jia'an South Road, Bao'an District, 518101 Shenzhen, China.

## Timing Diagram Writing mode



Characteristics	Symbol	Limit			Unit	Test Condition
		Min.	Typ.	Max.		
E Cycle Time	$t_C$	400.0	-	-	ns	Pin E
E Pulse Width	$t_{PW}$	150.0	-	-	ns	Pin E
E Rise/Fall Time	$t_R, t_F$	-	-	25.0	ns	Pin E
Address Setup Time	$t_{SP1}$	30.0	-	-	ns	Pins: RS, R/W, E
Address Hold Time	$t_{HD1}$	10.0	-	-	ns	Pins: RS, R/W, E
Data Setup Time	$t_{SP2}$	40.0	-	-	ns	Pins: DB7 - 0
Data Hold Time	$t_{HD2}$	10.0	-	-	ns	Pins: DB7 - 0

## Read mode



# Bocen Display Technology Co., Ltd.

Tel: +86-0755-23145782 E-mail: info@bocentech.com Website: www.bocentech.com  
Address: 603 Esun Tech Building, No.22 Jia'an South Road, Bao'an District, 518101 Shenzhen, China.

Characteristics	Symbol	Limit			Unit	Test Condition
		Min.	Typ.	Max.		
E Cycle Time	$t_c$	400.0	-	-	ns	Pin E
E Pulse Width	$t_w$	150.0	-	-	ns	Pin E
E Rise/Fall Time	$t_R, t_F$	-	-	25.0	ns	Pin E
Address Setup Time	$t_{SP1}$	30.0	-	-	ns	Pins: RS, R/W,E
Address Hold Time	$t_{HD1}$	10.0	-	-	ns	Pins: RS, R/W,E
Data Output Delay Time	$t_D$	-	-	100.0	ns	Pins: DB7 - 0
Data hold time	$t_{HD2}$	20.0	-	-	ns	Pin DB7 - 0

## 2.4 Instruction Table

### ◆ Display Control Instruction

Instruction	Instruction Code										Description	Execution time ( $F_{OSC} = 270KHz$ )
	RS	RW	DB7	DB6	DB5	DB4	DB3	DB2	DB1	DB0		
Clear Display	0	0	0	0	0	0	0	0	0	1	Write "20H" to DDRAM and set DDRAM address to "00H" from AC	1.52ms
Return Home	0	0	0	0	0	0	0	0	1	-	Set DDRAM address to "00H" from AC and return cursor to its original position if shifted. The contents of DDRAM are not changed.	1.52ms
Entry Mode Set	0	0	0	0	0	0	0	1	I/D	S	Assign cursor moving direction and enable the shift of entire display	38 $\mu$ s
Display ON/OFF Control	0	0	0	0	0	0	1	D	C	B	Set display(D), cursor(C), and blinking of cursor(B) on/off control bit.	38 $\mu$ s
Cursor or Display Shift	0	0	0	0	0	1	S/C	R/L	-	-	Set cursor moving and display shift control bit, and the direction, without changing of DDRAM data.	38 $\mu$ s
Function Set	0	0	0	0	1	DL	N	F	-	-	Set interface data length (DL: 8-bit/4-bit), numbers of display line (N: 2-line/1-line) and, display font type (F: 5x10 dots/5x8 dots)	38 $\mu$ s
Set CGRAM Address	0	0	0	1	AC5	AC4	AC3	AC2	AC1	AC0	Set CGRAM address in address counter.	38 $\mu$ s
Set DDRAM Address	0	0	1	AC6	AC5	AC4	AC3	AC2	AC1	AC0	Set DDRAM address in counter	38 $\mu$ s
Read Busy Flag and Address Counter	0	1	BF	AC6	AC5	AC4	AC3	AC2	AC1	AC0	Whether during internal operation or not can be known by reading BF. The contents of address counter can also be read.	
Write Data to RAM	1	0	D7	D6	D5	D4	D3	D2	D1	D0	Write data into internal RAM (DDRAM/CGRAM).	38 $\mu$ s
Read Data from RAM	1	1	D7	D6	D5	D4	D3	D2	D1	D0	Read data from internal RAM (DDRAM/CGRAM).	38 $\mu$ s

\* "-": don't care

# Bocen Display Technology Co., Ltd.

Tel: +86-0755-23145782 E-mail: info@bocentech.com Website: www.bocentech.com  
 Address: 603 Esun Tech Building, No.22 Jia'an South Road, Bao'an District, 518101 Shenzhen, China.

## 2.5 Character Generator ROM

NO.7066-0B

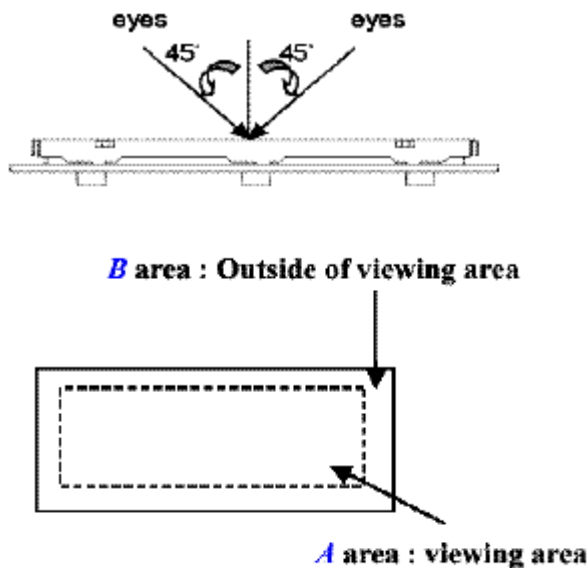
b7-b4 b3-b0	0000	0001	0010	0011	0100	0101	0110	0111	1000	1001	1010	1011	1100	1101	1110	1111
0000	CG RAM (1)	±	∅	⊙	⊙	⊙	⊙	⊙	⊙	⊙	⊙	⊙	⊙	⊙	⊙	⊙
0001	(2)	≡	!	1	A	Q	a	9	0	æ	i	∩	J	t	y	o
0010	(3)	∇	"	2	B	R	b	r	e	E	ó	°	ω	§	§	λ
0011	(4)	⊥	#	3	C	S	c	s	á	á	ú	˘	∇	∇	e	φ
0100	(5)	∇	\$	4	D	T	d	t	á	á	é	˘	∇	∇	z	ω
0101	(6)	∇	%	5	E	U	e	u	á	á	é	˘	∇	∇	∇	∇
0110	(7)	∇	&	6	F	V	f	v	á	á	é	˘	∇	∇	∇	∇
0111	(8)	∇	'	7	G	W	g	w	á	á	é	˘	∇	∇	∇	∇
1000	(1)	∇	(	8	H	X	h	x	é	é	é	˘	∇	∇	∇	∇
1001	(2)	∇	)	9	I	Y	i	y	é	é	é	˘	∇	∇	∇	∇
1010	(3)	∇	*	:	J	Z	j	z	é	é	é	˘	∇	∇	∇	∇
1011	(4)	∇	+	:	K	L	k	l	é	é	é	˘	∇	∇	∇	∇
1100	(5)	∇	,	<	L	N	l	n	é	é	é	˘	∇	∇	∇	∇
1101	(6)	∇	-	=	M	I	m	i	é	é	é	˘	∇	∇	∇	∇
1110	(7)	∇	.	>	N	^	n	˘	é	é	é	˘	∇	∇	∇	∇
1111	(8)	∇	/	?	O	L	o	l	é	é	é	˘	∇	∇	∇	∇

# Bocen Display Technology Co., Ltd.

Tel: +86-0755-23145782 E-mail: info@bocentech.com Website: www.bocentech.com  
 Address: 603 Esun Tech Building, No.22 Jia'an South Road, Bao'an District, 518101 Shenzhen, China.

## 2.6 Inspection Specification

- ◆ Inspection Standard : MIL-STD-105E Table Normal Inspection Single Sampling Level II .
- ◆ Equipment : Gauge、MIL-STD、Powertip Tester、 Sample
- ◆ Defect Level : Major Defect AQL 0.4; Minor Defect AQL 1.5 .
- ◆ OUT Going Defect Level : Sampling .
- ◆ Manner of appearance test :
  - (1). The test be under 40W×2 fluorescent light ' and distance of view must be at 30 cm.
  - (2). The test direction is base on about around 45° of vertical line. (Fig. 1)
  - (3). Definition of area . (Fig. 2)



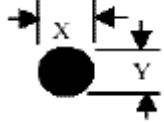
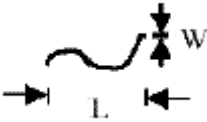
◆ Specification:

NO	Item	Criterion	level
01	Product condition	1.1 The part number is inconsistent with work order of Production.	Major
		1.2 Mixed production types.	Major
		1.3 Assembled in inverse direction.	Major
02	Quantity	2.1 The quantity is inconsistent with work order of production.	Major
03	Outline dimension	3.1 Product dimension and structure must conform to Structure diagram.	Major
04	Electrical Testing	4.1 Missing line character、 dot and icon.	Major
		4.2 No function or no display.	Major
		4.3 Output data is error.	Major
		4.4 LCD viewing angle defect.	Major
		4.5 Current consumption exceeds product specifications.	Major
05	Black or white dot、 scratch、 contamination Round type	5.1 Round type: 5.1.1 display only : ·White and black spots on display $\leq 0.25\text{mm}$ , no more than Four white or black spots present. ·Densely spaced : NO more than two spots or lines within	Minor

# Bocen Display Technology Co., Ltd.

Tel: +86-0755-23145782 E-mail: info@bocentech.com Website: www.bocentech.com  
 Address: 603 Esun Tech Building, No.22 Jia'an South Road, Bao'an District, 518101 Shenzhen, China.

◆ Specification :

NO	Item	Criterion	level
05	<p>Black or white dot、scratch、contamination</p> <p>Round type</p>  <p><math>\Phi = (x+y)/2</math></p> 	<p>5.1.2 Nom-display :</p> <p>Dimension (diameter : <math>\Phi</math>)</p> <p>Acceptance(Q'ty)</p> <p><math>\Phi \leq 0.10\text{mm}</math></p> <p>Accept no dense</p> <p><math>0.10\text{mm} &lt; \Phi \leq 0.20\text{mm}</math> 3</p> <p><math>0.20\text{mm} &lt; \Phi \leq 0.25\text{mm}</math> 2</p> <p>Total 4</p> <p>5.1.3 Line type:</p> <p>Dimension (diameter : <math>\Phi</math>)</p> <p>Acceptance (Q'ty)</p> <p>Length</p> <p>width</p> <p>A area</p> <p>B area</p> <p>---</p> <p><math>w \leq 0.03\text{mm}</math></p> <p>Accept no dense</p> <p>Don't count</p> <p><math>L \leq 3.0\text{mm}</math></p> <p><math>0.03\text{mm} &lt; \Phi \leq 0.05\text{mm}</math></p> <p>4</p> <p>Don't count</p> <p><math>L \leq 2.5\text{mm}</math></p> <p><math>0.05\text{mm} &lt; \Phi \leq 0.075\text{mm}</math></p> <p>Don't count</p>	Minor

# Bocen Display Technology Co., Ltd.

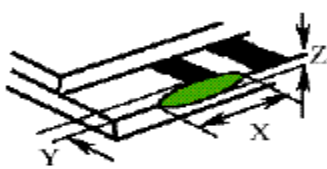
Tel: +86-0755-23145782 E-mail: info@bocentech.com Website: www.bocentech.com  
Address: 603 Esun Tech Building, No.22 Jia'an South Road, Bao'an District, 518101 Shenzhen, China.

---

		--- w>0.075mm As round type	
--	--	-----------------------------------	--

# Bocen Display Technology Co., Ltd.

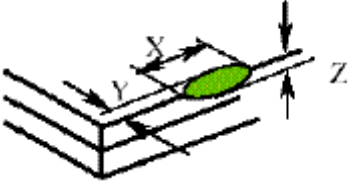

Tel: +86-0755-23145782 E-mail: info@bocentech.com Website: www.bocentech.com  
 Address: 603 Esun Tech Building, No.22 Jia'an South Road, Bao'an District, 518101 Shenzhen, China.

06	Polarizer Bubble	<p>Dimension (diameter : <math>\Phi</math>)</p> <p>A area</p> <p>Acceptance(Q'ty)</p> <p>B area</p> <p><math>\Phi \leq 0.20\text{mm}</math></p> <p>Accept no dense</p> <p>Don't count</p> <p><math>0.20\text{mm} &lt; \Phi \leq 0.50\text{mm}</math></p> <p>3</p> <p>Don't count</p> <p><math>0.50\text{mm} &lt; \Phi \leq 1.00\text{mm}</math></p> <p>2</p> <p>Don't count</p> <p><math>\Phi &gt; 1.00\text{mm}</math></p> <p>0</p> <p>Don't count</p> <p>Total quantity</p> <p>4</p> <p>Don't count</p>	Minor
07	The crack of glass	<p>● Glass Crack:</p> <p>7.1 Crack on the circuit of electrode terminal :</p>  <p>X</p> <p>Y</p> <p>Z</p> <p>Front</p> <p><math>X \leq 1/5 a</math></p> <p><math>Y \leq 1/2 D</math></p> <p><math>Z \leq t</math></p> <p>Back</p> <p>Neglect</p>	Minor

# Bocen Display Technology Co., Ltd.

Tel: +86-0755-23145782 E-mail: info@bocentech.com Website: www.bocentech.com  
 Address: 603 Esun Tech Building, No.22 Jia'an South Road, Bao'an District, 518101 Shenzhen, China.

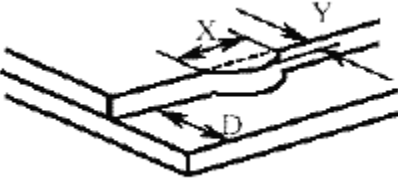
◆ Specification :

NO	Item	Criterion	Level
07	The crack of glass X: The length of Crack Y: The width of crack Z: The thickness of crack D: terminal length T: The thickness of glass A : The length of glass	<p>● Glass Crack:</p> <p>7.2 General glass crack and corner edge:</p> <p>7.2.1</p>  <p>X Y Z Neglect Out A area Neglect</p> <p>7.2.2</p>  <p>X Y Z Neglect Out A area Neglect</p>	Minor

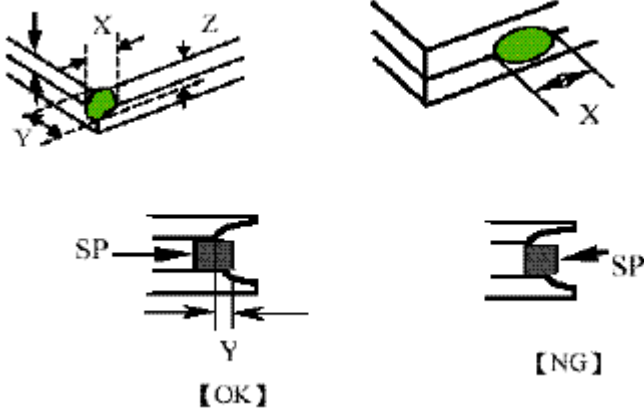


# Bocen Display Technology Co., Ltd.

Tel: +86-0755-23145782 E-mail: info@bocentech.com Website: www.bocentech.com  
 Address: 603 Esun Tech Building, No.22 Jia'an South Road, Bao'an District, 518101 Shenzhen, China.

		<p>7.3 Glass remain:</p>  <p style="text-align: center;">X Y</p> <p style="text-align: center;">Neglect <math>\leq 1/3 d</math></p>	Minor
--	--	---	-------

◆ Specification :

NO	Item	Criterion	Level
07	<p>7.4 Corner crack and medial crack:</p> <p>The crack of glass</p> <p>X: The length of Crack</p> <p>Y: The width of crack</p> <p>Z: The thickness of crack</p> <p>D: terminal length</p> <p>T: The thickness of glass</p> <p>A : The length of glass</p>	 <p style="text-align: center;">X Y Z <math>\leq 1/5a</math></p> <p style="text-align: center;">Crack can't enter viewing area <math>\leq 1/2t</math> <math>\leq 1/5a</math></p> <p style="text-align: center;">Crack can't exceed the half of width of SP width of SP <math>1/2t &lt; Z \leq 2t</math></p>	Minor
08	Backlight elements	<p>8.1 Backlight can't work normally.</p> <p>8.2 Backlight doesn't light or color is wrong.</p> <p>8.3 Illumination source flickers when lit.</p>	Major

# Bocen Display Technology Co., Ltd.

Tel: +86-0755-23145782 E-mail: info@bocentech.com Website: www.bocentech.com  
Address: 603 Esun Tech Building, No.22 Jia'an South Road, Bao'an District, 518101 Shenzhen, China.

---

09	General appearance	9.1 pin type must match type in specification sheet	Major
		9.2 No short circuits in components on PCB or FPC	Major
		9.3 Product packaging must be the same as specified on packaging specification sheet.	Major
		9.4 The folding and peeling in polarizer are not acceptable	Major
		9.5 The PCB or FPC between B/L assembled distance (PCB or FPC) is $\leq 1.5\text{mm}$	Major