

常州市创联电源科技股份有限公司

Changzhou Chuanglian Power Supply Technology Corporation

承认书

CERTIFICATE FOR CONFIRMATION

客户名称 (CUSTOMER) : _____
客户料号 (PART NO.) : _____
产品名称 (PART NAME) : Switching Power Supply
产品规格 (DESCRIPTION) : A-75FAM
编制日期 (DATE) : _____

制定 (Engineer)	审核 (Supervisor)	核准 (Engineer Manager)
承认 (Engineer)	审核 (Supervisor)	核准 (Engineer Manager)

注:此承认书一式二份,请签核完后寄回我司一份保存。

Remark:This certification is in duplicate,please send us a copy signing.

厂商:常州市创联电源科技股份有限公司
地址:江苏省常州市钟楼经济开发区童子河西路8号

电话:86-519-85215050, 85210525

传真:86-519-85215252, 85215770

网址:www.haitaik.com

邮箱:ad@haitaik.com

Mfr.:Changzhou Chuanglian Power Supply Tech Corp

Address:No. 8, Tongzihe West Road, Zhonglou Economic Development Zone, Changzhou, Jiangsu 213024, China

Tel:86-519-85215050, 85210525

Fax:86-519-85215252, 85215770

Web:www.haitaik.com

E-mail:ad@haitaik.com

编号:



A-75FAM Switching Power Supply



◆ Features

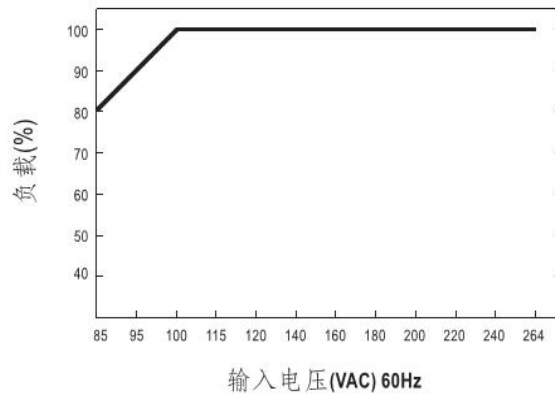
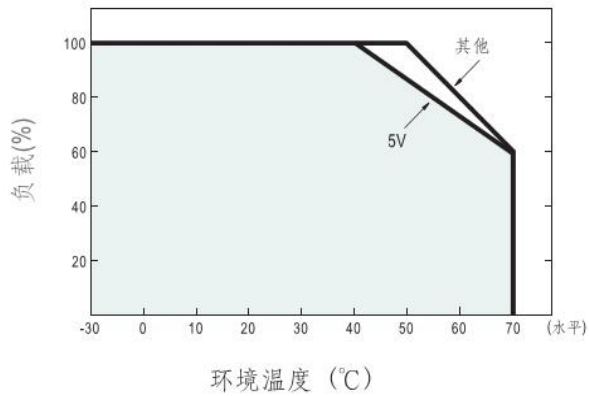
- Universal AC input
- No load power consumption < 0.3W
- Protections: short circuit/overload
- Cooling by free air convection
- 100% pass aging test
- 3 years warranty

General Specification

ModelNo.	A-75FAM-12	A-75FAM-24	A-75FAM-36	A-75FAM-48	
Output	DC voltage	12V	24V	36V	48V
	Rated current	6A	3.2A	2.1	1.6A
	Current Range	0~6A	0~3.2A	0~2.1A	0~1.6A
	Rated power	72W	76.8W	75.6W	76.8W
	Ripple & Noise	120mV _{p-p}	150mV _{p-p}	200mV _{p-p}	200mV _{p-p}
	Voltage regulation range	±10.0%			
	Voltage accuracy	±1.0%			
	Line regulation	±0.5%			
	Load adjustment rate	±0.5%			
	Rise	500ms, 30ms/230VAC Full Load			
Hold up time (Typ)	60ms/230VAC 12ms/115VAC Full Load				
Input	Voltage range	100~240VAC;			
	Frequency	47~63HZ			
	PFC (Typ)				
	Efficiency (Typ)	88%	90%	92%	92%
	Alternating current	1.4A/115VAC, 0.85A/230V			
	Inrush current (Typ)	50A/230VAC			
Leakage current	<3.5mA/240VAC				
Protect ions	Overload	110~150% of rated output			
	Short circuit	Hiccup mode, auto-recovery			
	Over Voltage	115%~135% rated output voltage, constant voltage limited			
Envirom ent	Working temp.	-30℃~+50℃ (refer to output derating curve)			
	Working humidity	10~95%RH non condensing			
	Storage temp.	-40℃~+85℃			
	Storage humidity	10~95%RH non condensing			
	temp. coefficient	±0.03%/℃ (0~50℃)			
Vibration resistance	10~500Hz, 2G, 10min/cycle, X、Y、Z 60min in each direction				
Safety	Safety standards	design according to GB4943-2001, UL1012			
	withstand voltage	I/P-O/P:3KV AC、 I/P-FG: 2KV AC、 O/P-FG: 0.5KV AC			
	Isolation Resistance	I/P-O/P、 I/P-FG、 O/P-FG: 100MΩ/500VDC			
	EMC	EN55022 CLASS B			
Others	Lifetime	100,000 hours(25℃)			
	Size	99×97×30 (L*W*H)			
	Weight	0.3Kg/pc			
Rmarks	<p>*In order to extend the lifetime, it is recommended to configure the load more than 30% of the remaining allowance. For example: the power of the device requires 100W, then use the power of not less than 130W.</p> <p>*Ripple test method: 20MHz oscilloscope in power output terminal test, oscilloscope probe wire length is not more than 12mm, and input parallel 47uF electrolytic capacitors and 0.1uF high frequency capacitance probe.</p>				



Load temperature drop curve

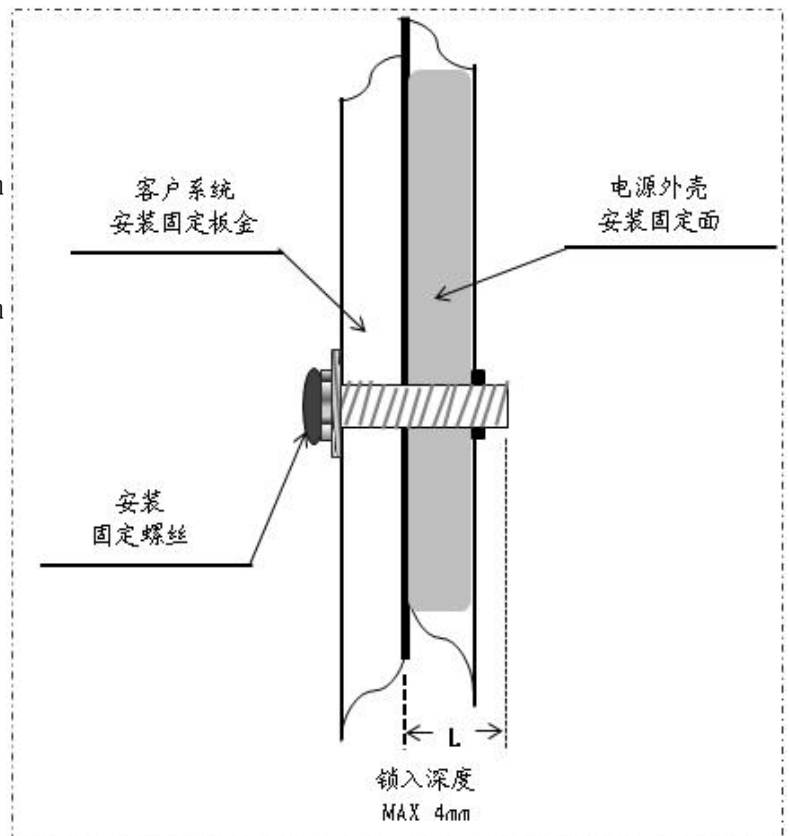


Installation

警示

Warning

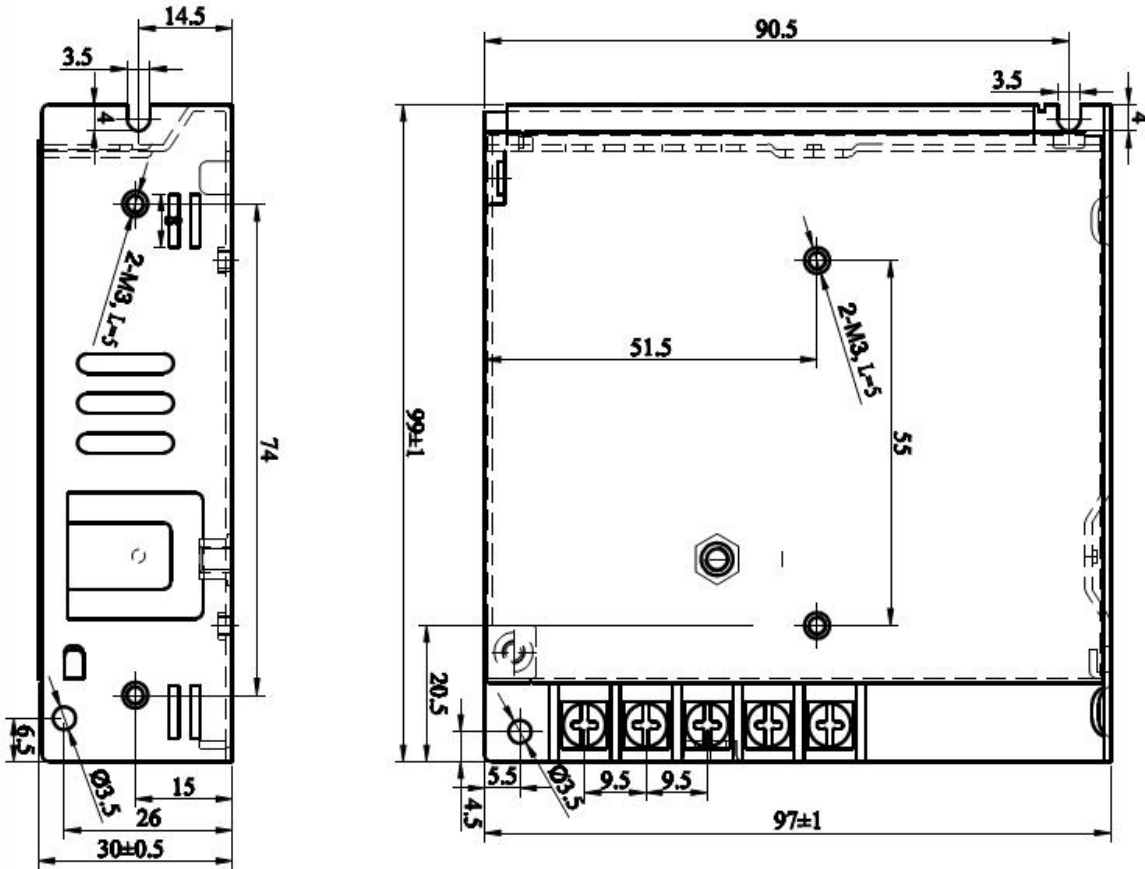
- 使用安装螺丝M3*6mm,
Using the mounting screws M3*6mm
- 深入外壳螺丝深度MAX 4mm,
Deep housing screw depth Max 4mm
- 详见右图
As shown on the right





A-75FAM Switching Power Supply

Drawing:



Pin No.	Assignment	Pin No.	Assignment
1	AC/L	4	DC output (V-)
2	AC/N	5	DC output (V+)
3	FG		